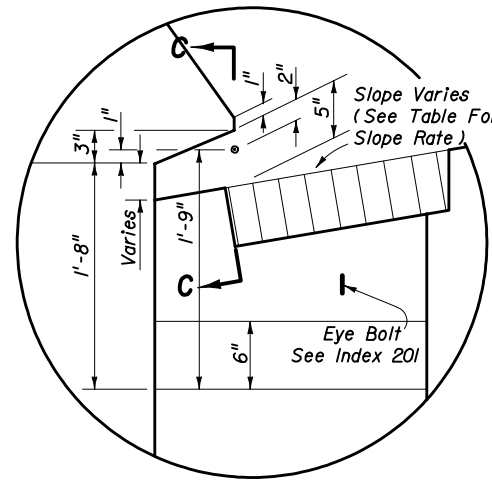
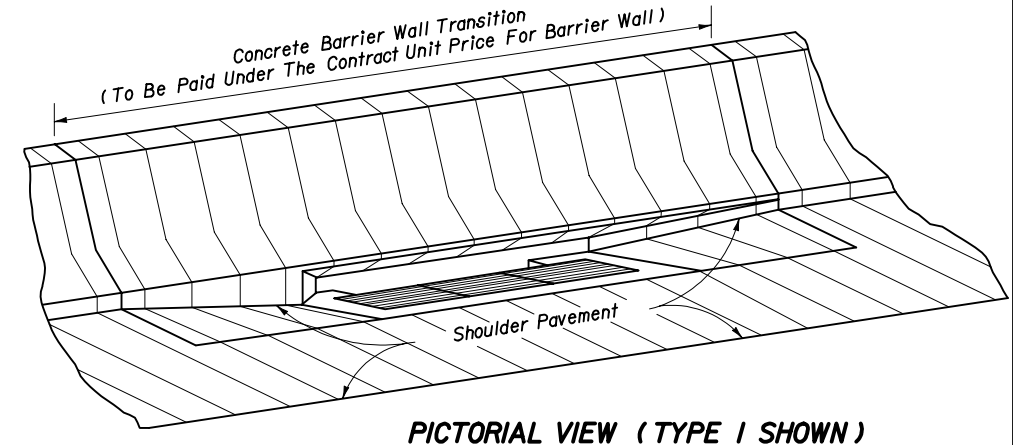


PLAN (INLETS TYPES 1 THRU 5)

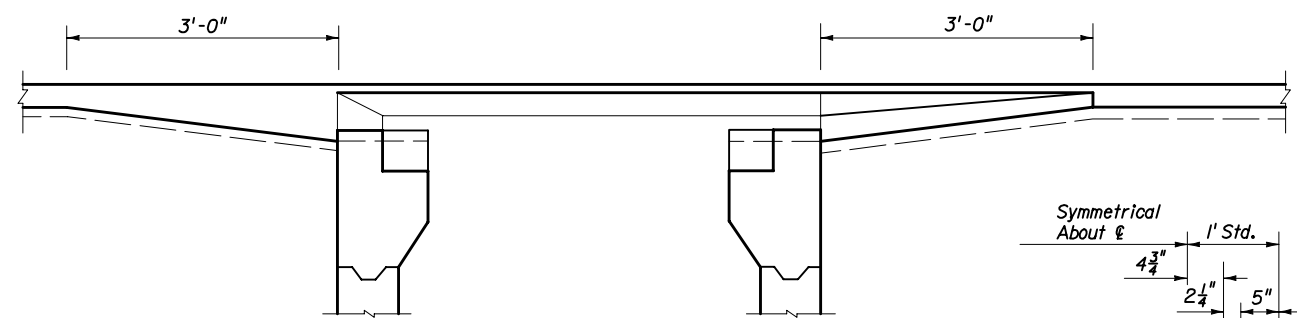


INSET A

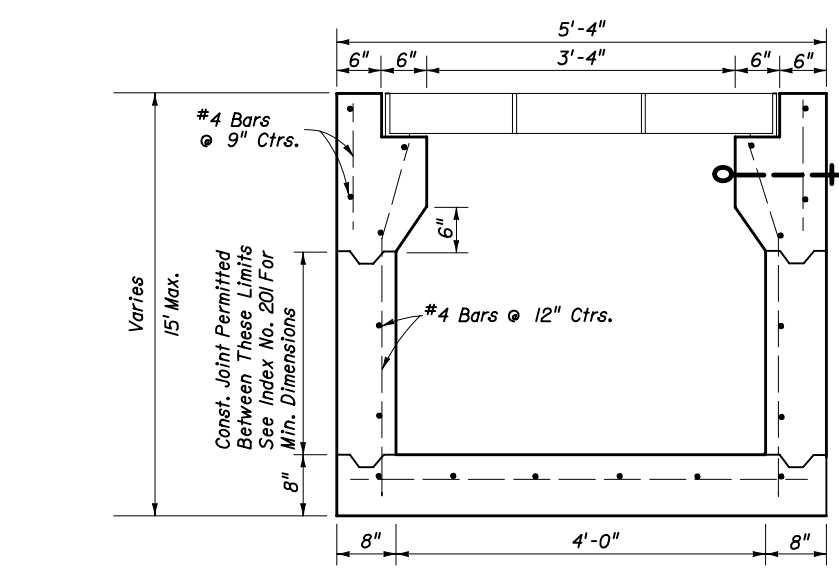
GRATE SLOPE		
Shoulder Slope	Grate Slope Rate	Remarks
0.03	1:6.7	Std. Med. Conc. Shldr.
0.05	1:6	Std. Med. Flex. Shldr.
0.06	1:5.6	
0.07	1:5.2	
0.08	1:5	
0.09	1:4.5	
0.10	1:4.5	e (max)



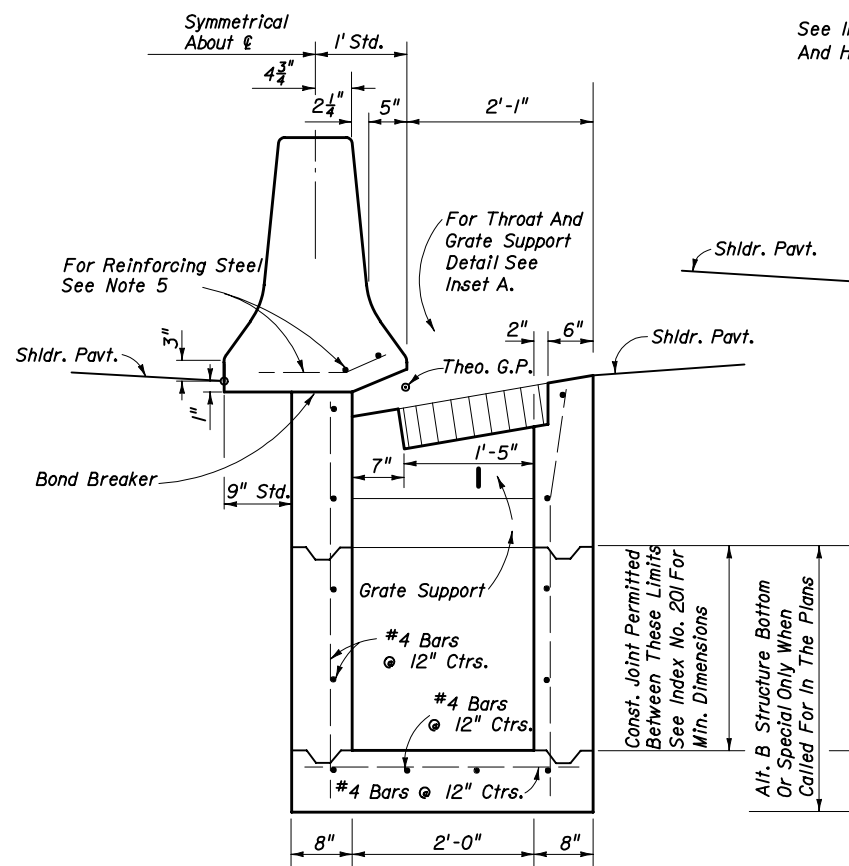
PICTORIAL VIEW (TYPE 1 SHOWN)



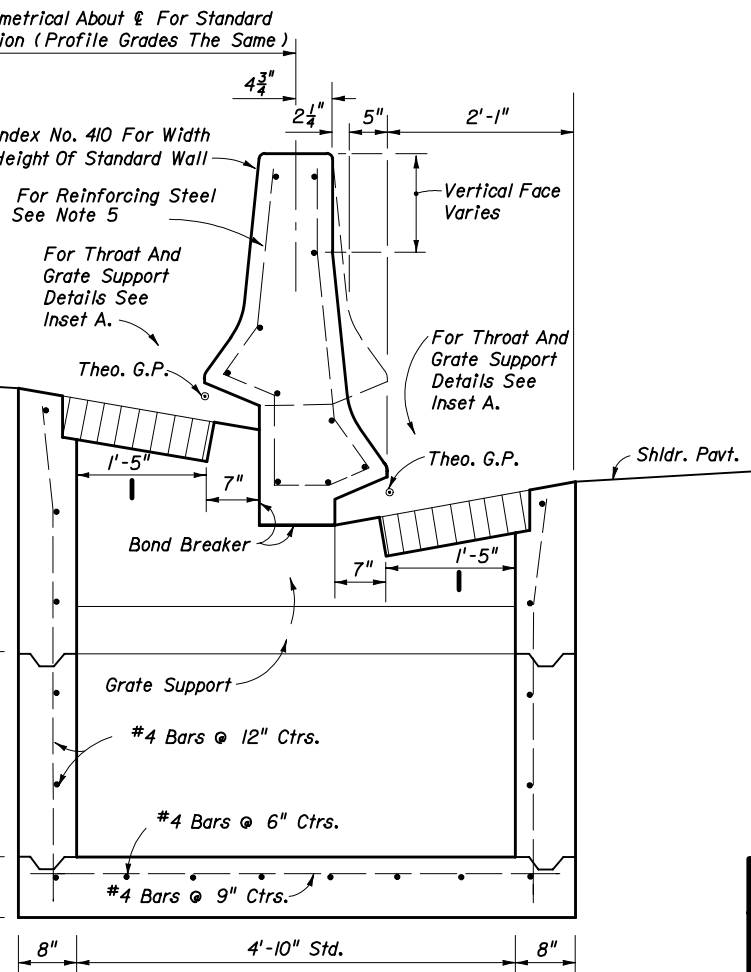
SECTION CC



SECTION AA



SECTION (INLETS TYPES 1 & 2)




SECTION (INLETS TYPES 3, 4 & 5) (NON-SYMMETRICAL SECTION SHOWN)

GENERAL NOTES

- Inlet Descriptions:
 Type 1 Single throat, one side of barrier wall.
 Type 2 Double throats, one side of barrier wall.
 Type 3 Two single throats, opposite sides of barrier wall.
 Type 4 Two double throats, opposite sides of barrier wall.
 Type 5 Double throats, one side of barrier wall, and single throat other side of barrier wall.
- For grate details see Index No. 220. The parallel bar grate shall be used unless the reticuline grate is called for in the plans. The reticuline grate shall be specified where bicycle traffic is anticipated. Not suitable for pedestrian traffic.
- For standard concrete barrier wall dimensions, and for dimensions of concrete barrier wall incorporating light standards within the wall, see Index No. 410.
- Reinforcing steel shall have 2" minimum cover.
- All reinforcing steel #4 bars. Longitudinal steel bars extend over full length of concrete barrier wall transition. Tie bars @ 12" ctrs. Reinforcing to be paid for under the contract unit price for Concrete Barrier Wall, LF.
- For supplemental details see Index No. 201.
- Inlets to be paid for under the contract unit price for Inlets (Median Barrier Type...), EA. Barrier wall to be paid for under the contract unit price for Concrete Barrier Wall, LF.

STATE OF FLORIDA DEPARTMENT OF TRANSPORTATION

MEDIAN BARRIER INLETS
TYPES 1, 2, 3, 4 & 5

Designed By	HSD	06/83	Revision	04	Sheet No.	1 of 1	Index No.	217
Checked By	JVG/JBW	07/83	Approved By	 State Drainage Engineer				

SECTION BB