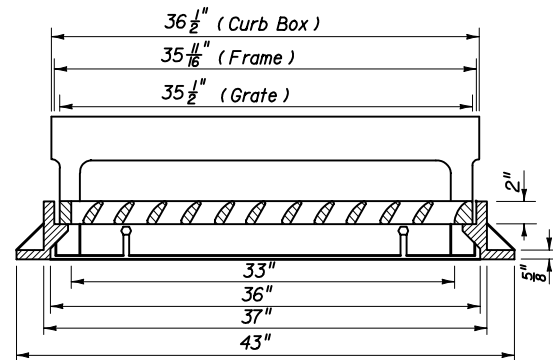
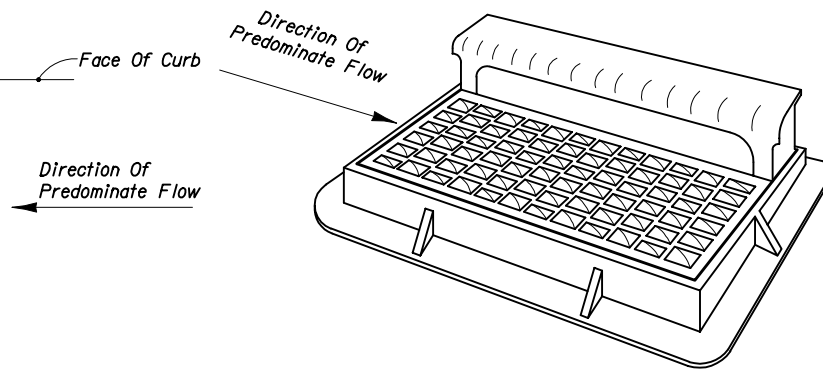
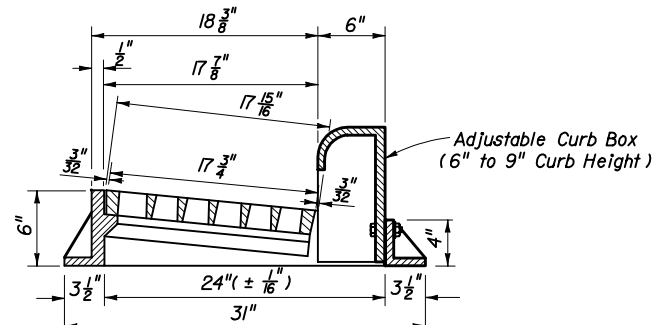


TOP VIEW

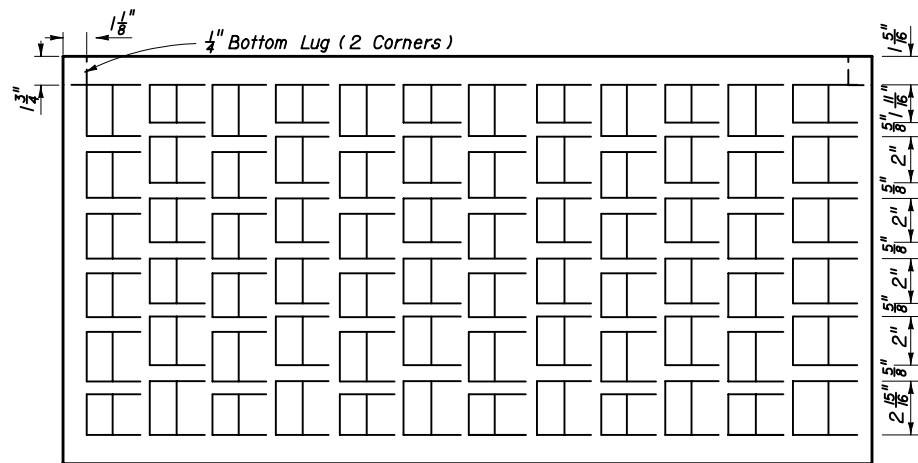


LONGITUDINAL SECTION

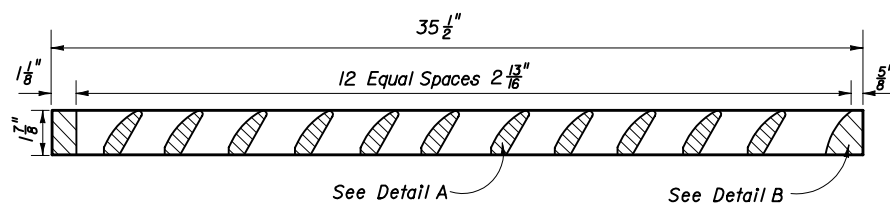


TRANSVERSE SECTION

FRAME AND GRATE

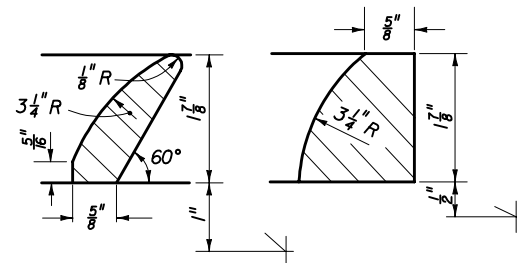


TOP VIEW



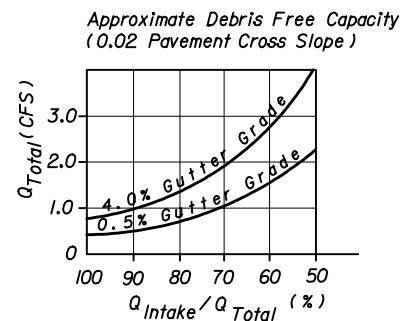
SECTION

GRATE DETAIL

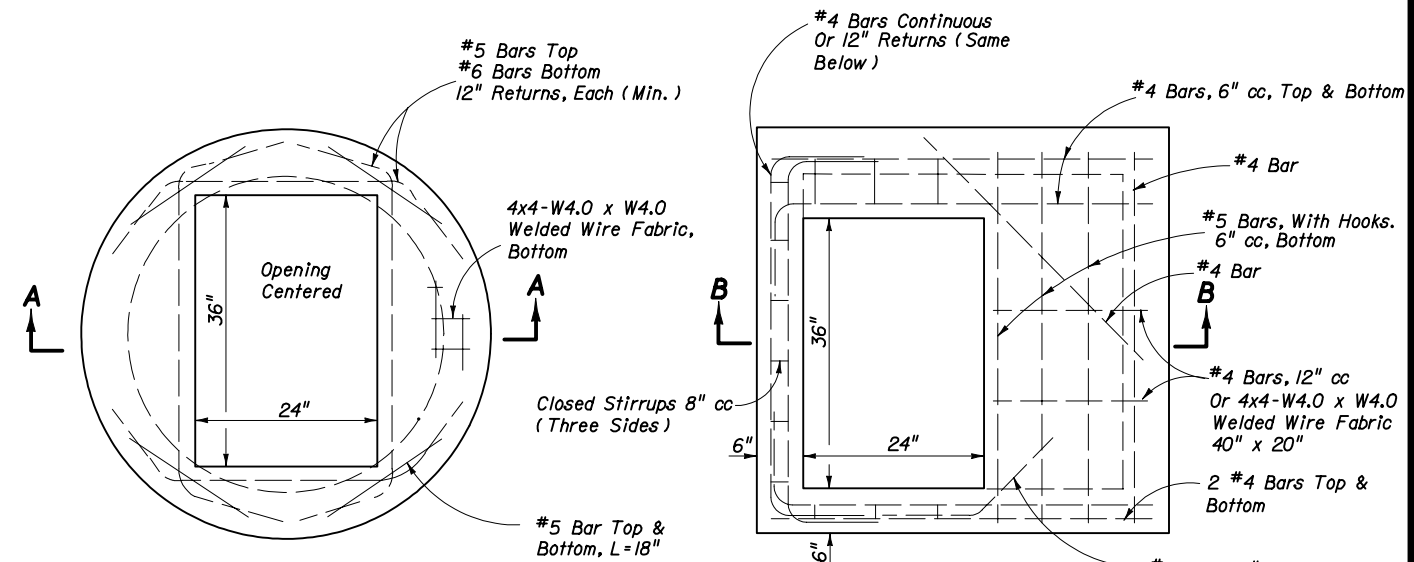


DETAIL A

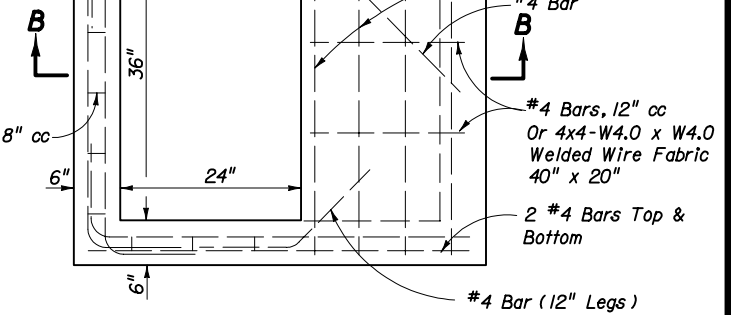
DETAIL B



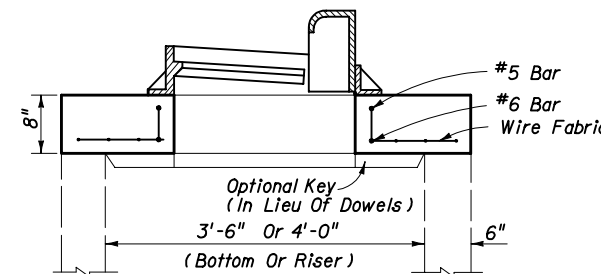
EFFICIENCY CURVE



TOP VIEW

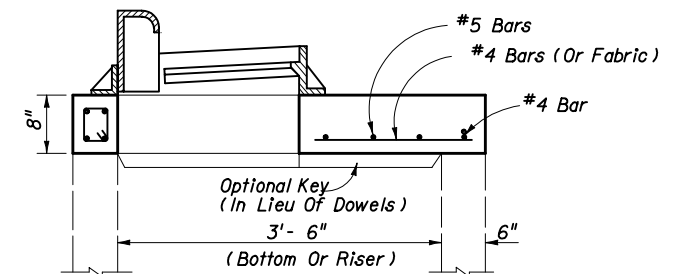


TOP VIEW



SECTION AA

(SEE NOTE 6 BELOW)



SECTION BB

(SEE NOTE 6 BELOW)

TOP SLABS

GENERAL NOTES

1. This inlet is primarily intended for locations with light to moderate flows where right of way does not permit the use of throated Curb Inlets Types 1 through 6. The typical application is on curb returns to city streets. The inlet grate is suitable for pedestrian and bicycle traffic.
2. This inlet to be located outside of curb ramp area in vertical faced curbs such as Curb and Gutter Type F. Grate shall be oriented with vanes directed toward predominate flow.
3. For structure bottoms see Index No. 200. For supplemental details see Index No. 201.
4. All steel in slab tops shall have 1 1/4" minimum cover unless otherwise shown. Tops shall be either cast-in-place or precast concrete.
5. For Alternate B applications, top slab openings shall be placed such that 2 edges of inlet frame will be located directly above bottom wall or riser wall.
6. When used on a structure with dimensions larger than those detailed above and risers are not applied, the top slab shall be constructed using Index No. 200 with the slab opening adjusted to 24" x 36". The "Special Top Slab" on Index No. 200 is not permitted.
7. Frame may be adjusted with one to six courses of brick.
8. Inlet and grate detail shown is Neenah R-3067-L. Vaned grates with approximately equal openings will be permitted that satisfy AASHTO HS-20 loading. Inlet and grate shall be Class 30 castings in accordance with ASTM A48 Grates shall be reversible, right or left.

STATE OF FLORIDA DEPARTMENT OF TRANSPORTATION

CURB INLET TOP TYPE 9

Names	Dates	Approved By		
Designed By	EGR	State Drainage Engineer		
Drawn By	HSD 01/81			
Checked By	JVG 01/81			
Revision	04			
Sheet No.	1 of 1	Index No.	214	