

FIGURE A
POLE MOUNTED
DETECTOR STATION

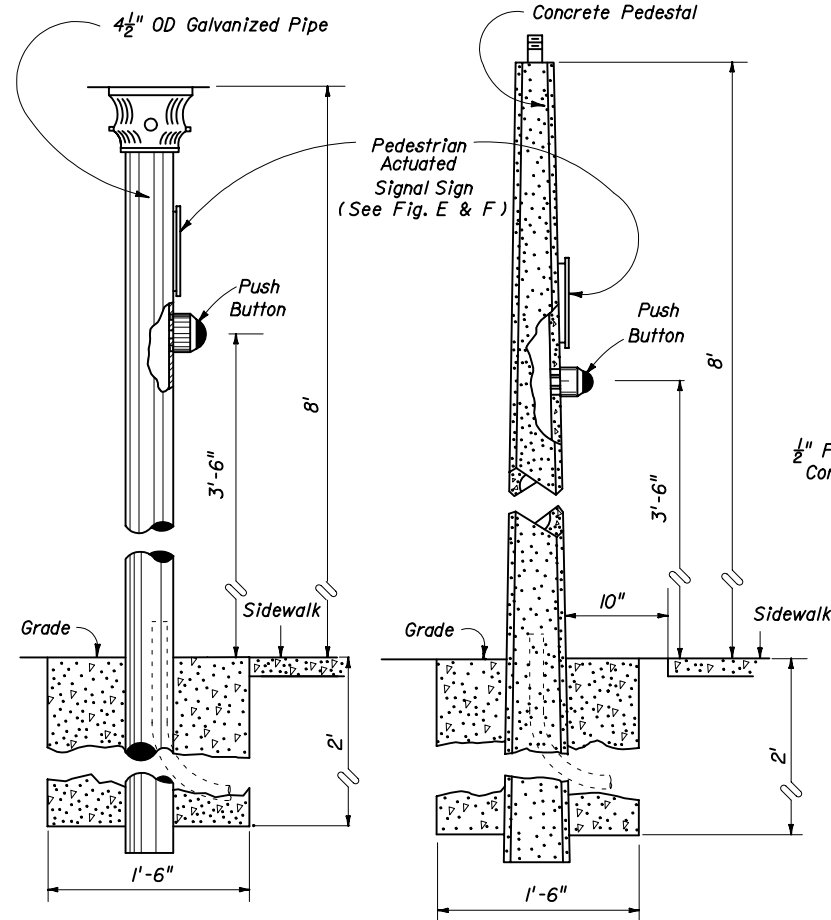


FIGURE B
PEDESTAL STATION
DETECTOR STATION

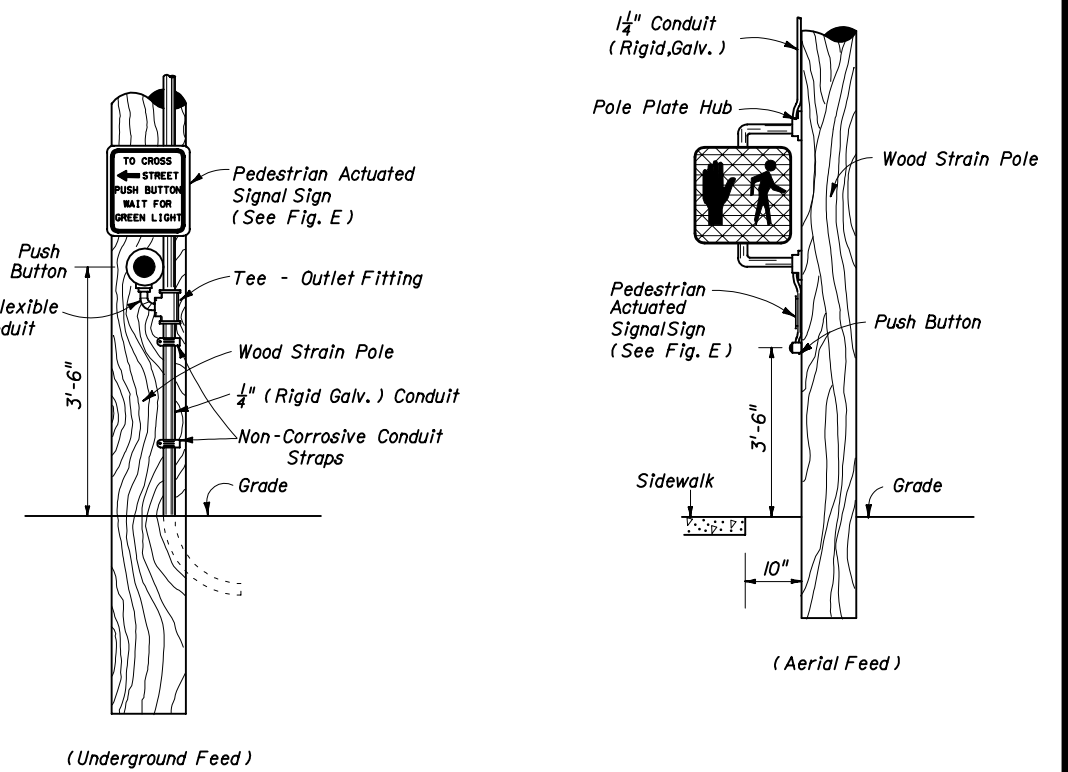


FIGURE C
WOOD POLE MOUNTED
DETECTOR STATION

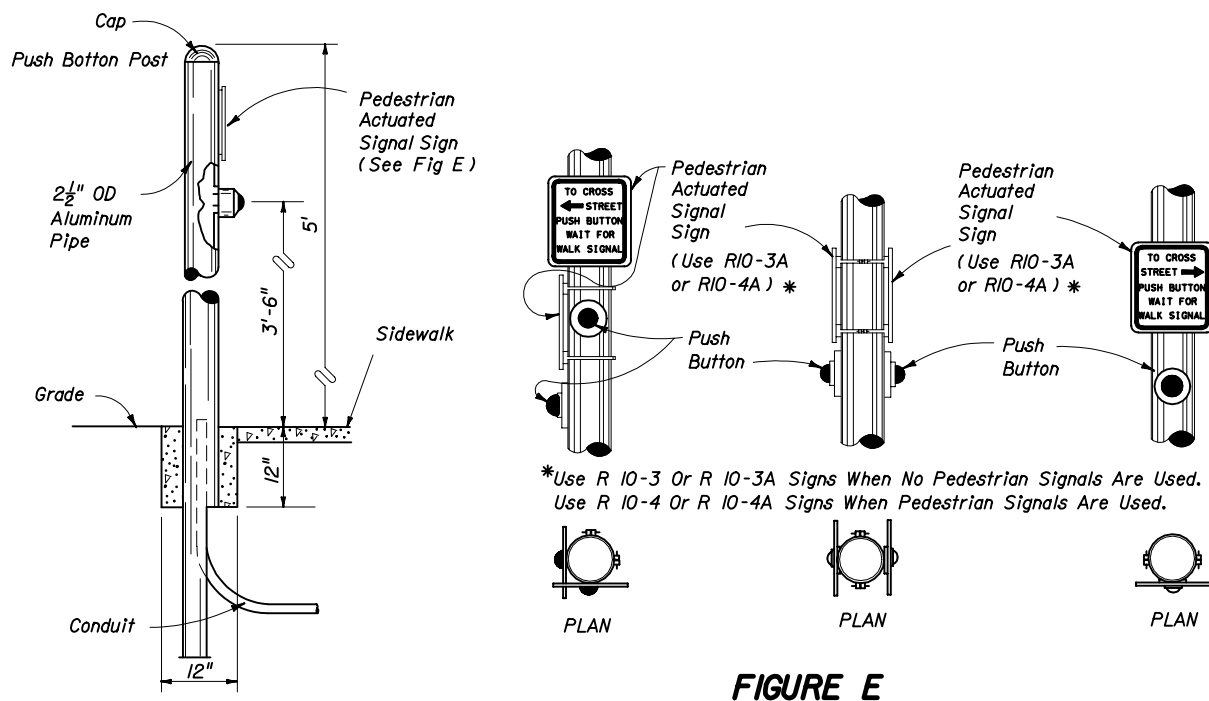
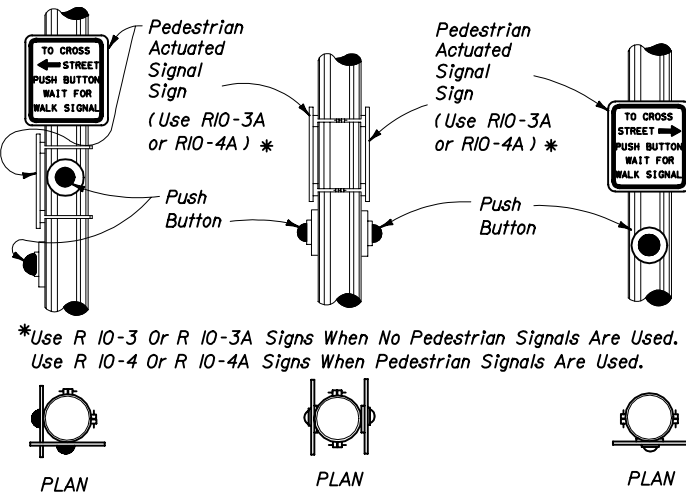
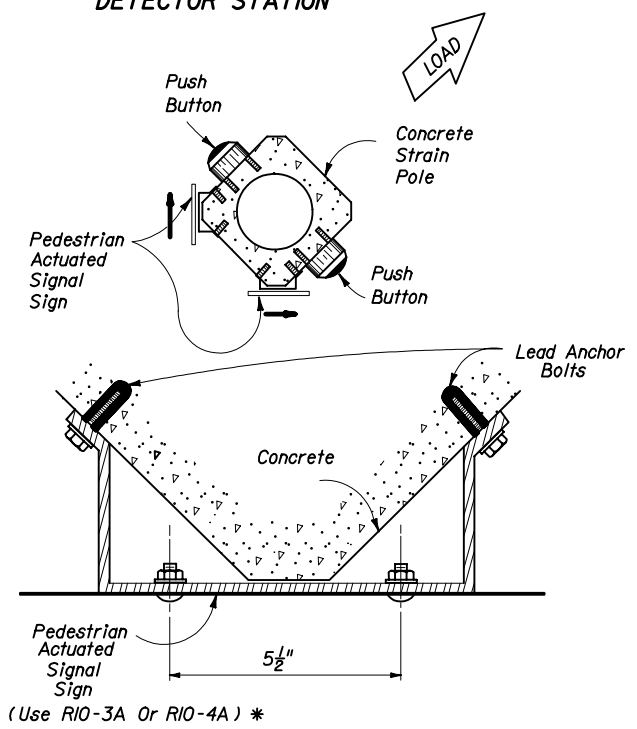


FIGURE D
POST DETECTOR STATION
DETECTOR STATION



*Use R 10-3 Or R 10-3A Signs When No Pedestrian Signals Are Used.
Use R 10-4 Or R 10-4A Signs When Pedestrian Signals Are Used.

FIGURE E

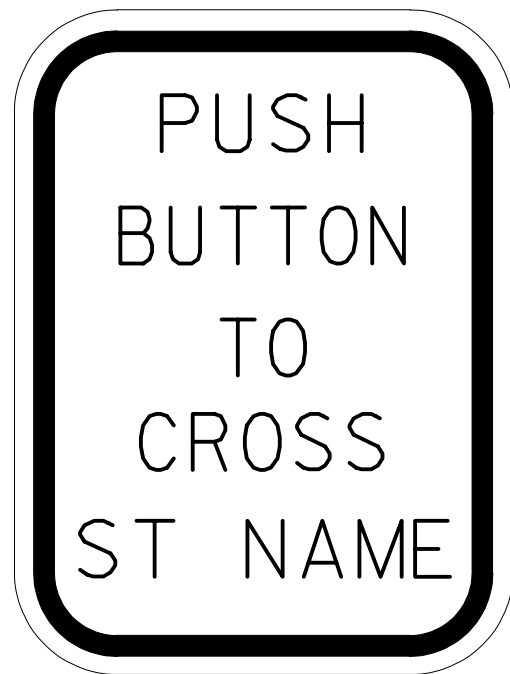


(Use R10-3A Or R10-4A) *

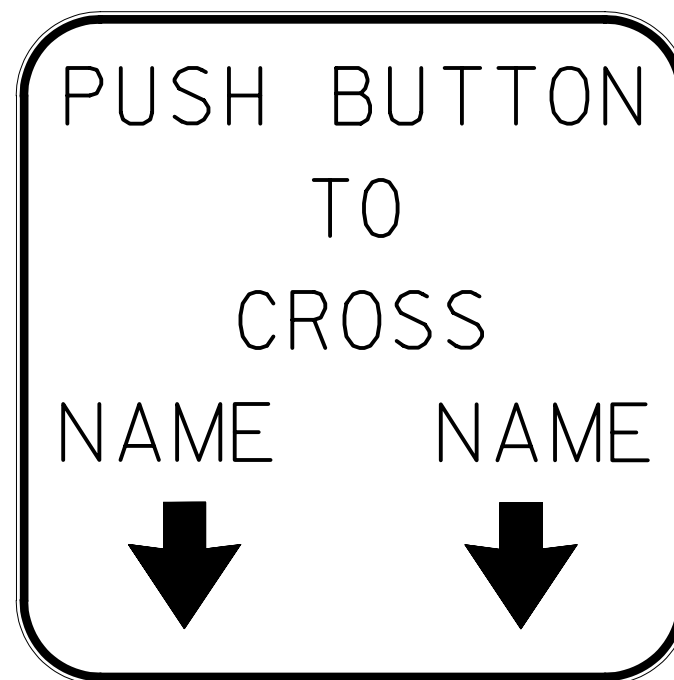
FIGURE F

- Notes:
- 1 Signs (R10-3A & R10-4A) shall be mounted above detectors, explaining their purpose and use.
 - 2 The positioning of pedestrian push button should clearly indicate which cross-walk signal is actuated by each push button.
 - 3 Push buttons and signs are to be mounted in accordance with Standard Specifications, section 665.
 - 4 Meet all grounding requirements of Section 620 of the Standard Specifications.

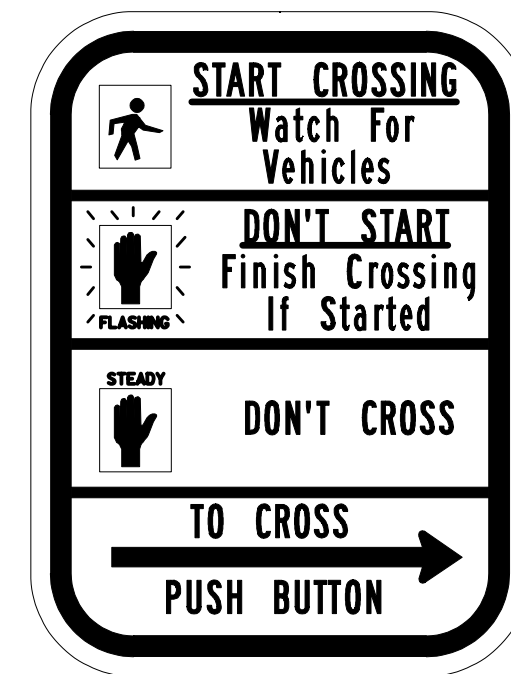
STATE OF FLORIDA DEPARTMENT OF TRANSPORTATION				
PEDESTRIAN DETECTOR ASSEMBLY INSTALLATION DETAILS				
Designed By	Names	Dates	Approved By <i>Clark A. Scott</i> State Traffic Standards Engineer	
Drawn By			Revision	Sheet No. Index No.
Checked By			04	1 of 2 17784



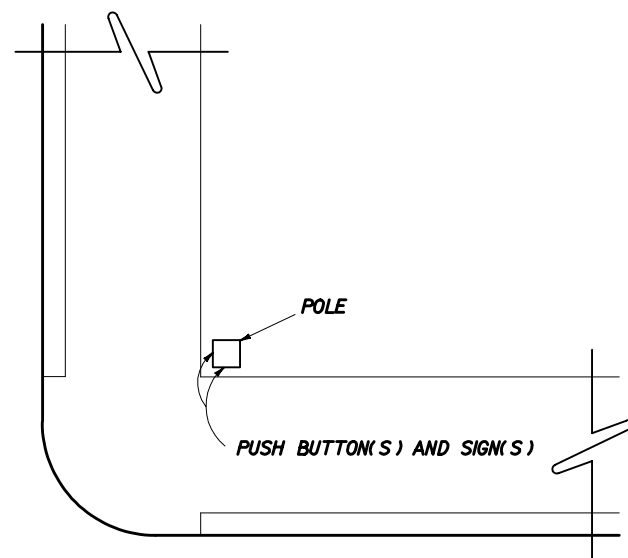
FTP-25-04



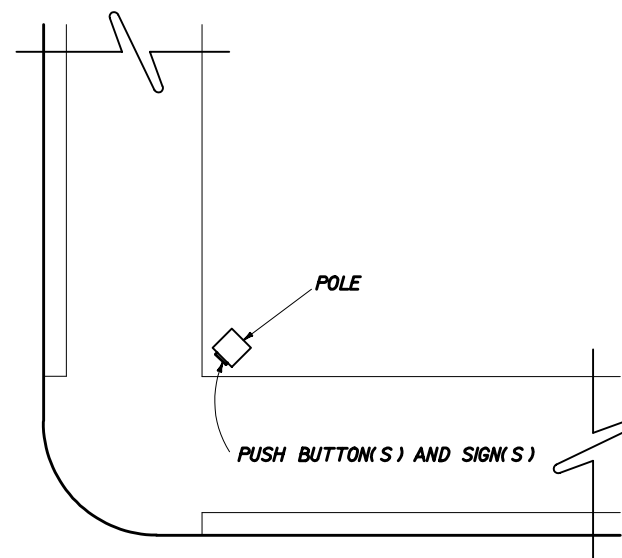
FTP-26-04



RIO-3b



CASE I
POLE PARALLEL TO CURBLINE
ALTERNATE TO FIGURE F



CASE II
POLE DIAGONAL TO CURBLINE

STATE OF FLORIDA DEPARTMENT OF TRANSPORTATION				
PEDESTRIAN DETECTOR ASSEMBLY INSTALLATION DETAILS				
Designed By	Names	Dates	Approved By <i>Clark A. Scott</i> State Traffic Standards Engineer	
Drawn By			Revision	Sheet No. Index No.
Checked By			04	2 of 2 17784