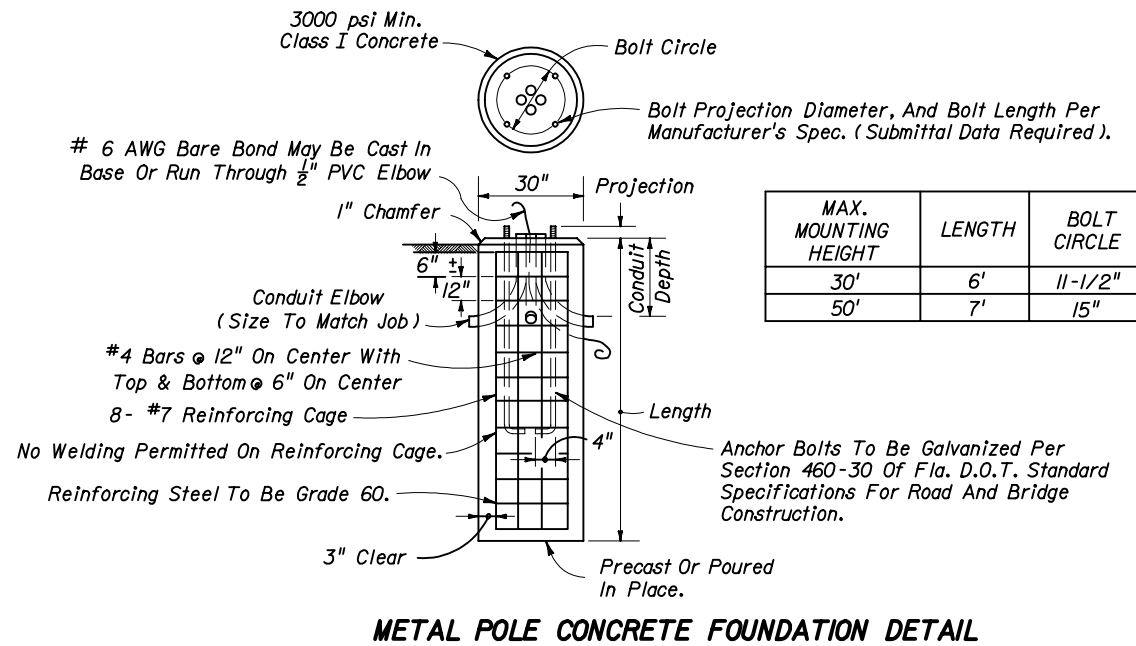
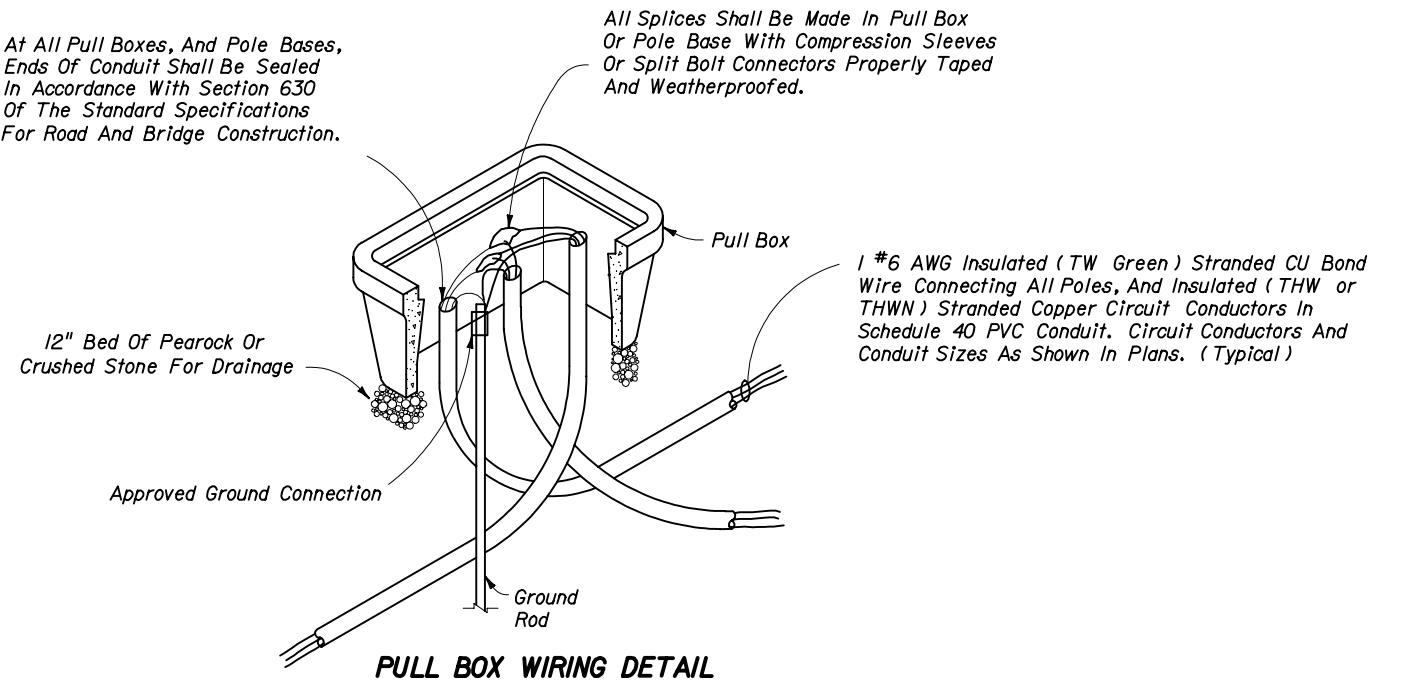


Foundations apply only to slopes of 1: 4 or flatter.



At All Pull Boxes, And Pole Bases, Ends Of Conduit Shall Be Sealed In Accordance With Section 630 Of The Standard Specifications For Road And Bridge Construction.

All Splices Shall Be Made In Pull Box Or Pole Base With Compression Sleeves Or Split Bolt Connectors Properly Taped And Weatherproofed.



NOTE

Foundation design based upon the following conservative soil criteria which covers the great majority of soil types found in Florida:

- Classification = Cohesionless (Fine Sand)
- Friction Angle = 30 Degrees (30°)
- Unit Weight = 50 lbs./cu. ft. (assumed saturated)

Only in cases where the Designer considers the soil types at the specific site location to be of lesser strength properties should an analysis be required. Auger borings, STP borings or CPT soundings may be utilized as needed to verify the assumed soil properties, and at relatively uniform sites, a single boring or sounding may cover several foundations. Furthermore, borings in the area that were performed for other purposes may be used to confirm the assumed soil properties. In any event, only the soil identification is required.

STATE OF FLORIDA DEPARTMENT OF TRANSPORTATION

ROADWAY LIGHTING DETAILS

Names	Dates	Approved By		
Designed By		State Traffic Standards Engineer		
Drawn By				
Checked By		Revision	Sheet No.	Index No.
		04	1 of 1	17503