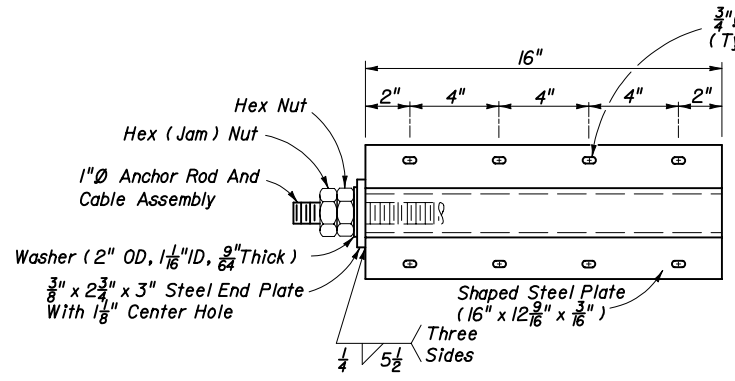
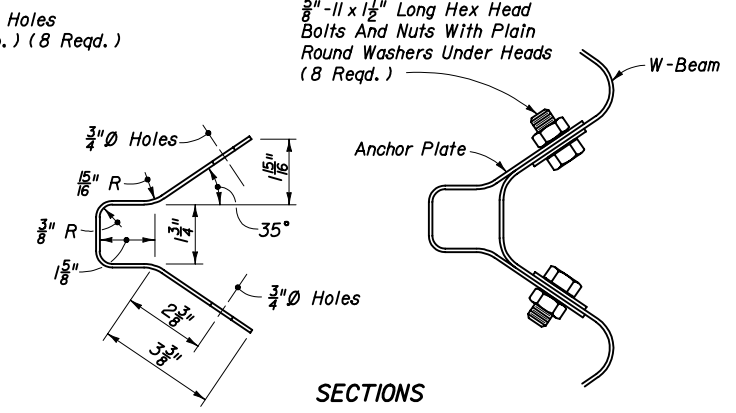


BREAKAWAY TERMINAL POST SLEEVE



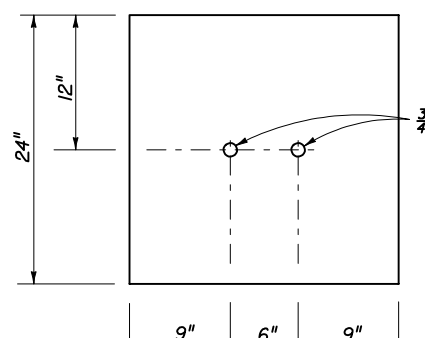
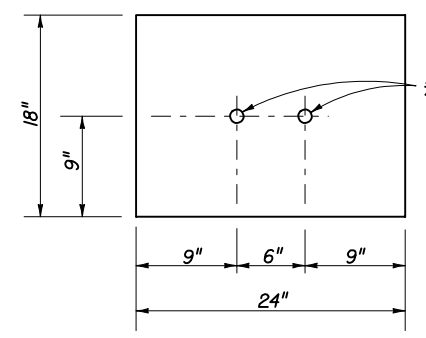
BACK VIEW



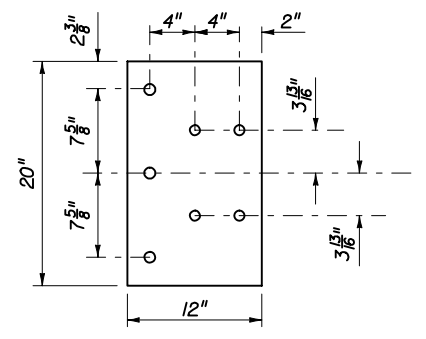
SECTIONS

Note: Cable assemblies shall be in accordance with the specifications of AASHTO-AGC-ARTBA 'A Guide To Standardized Highway Barrier Hardware' Cable Anchor Assembly FCAOI. An additional cable assembly 9' in length with a swaged fitting on one (1) end is required for each end anchorage assembly Type CRT.

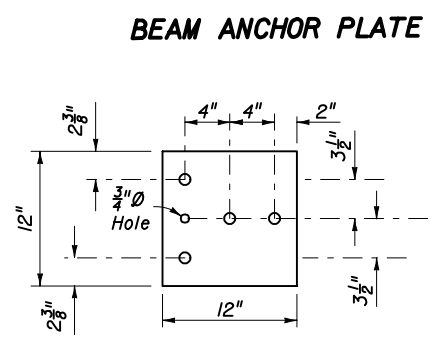
CABLE ASSEMBLY



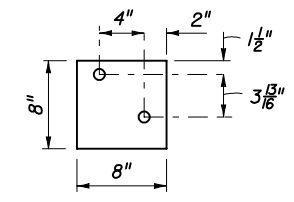
1/4" Steel P, Galvanized
SOIL PLATES



5/8" Plate For Bridge Traffic Railing Barrier
1/4" Plate For Barrier Walls
THREE-BEAM TERMINAL CONNECTOR

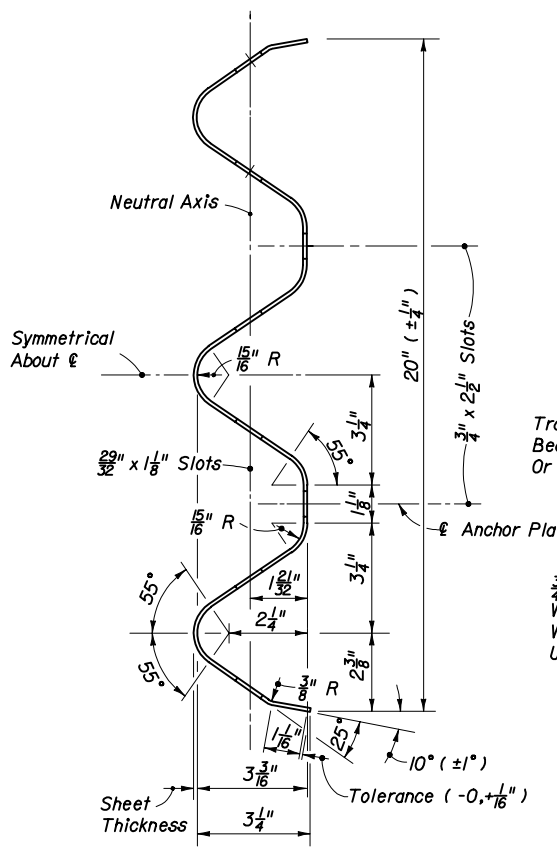


1/4" Plate For All Applications
SPECIAL END SHOE

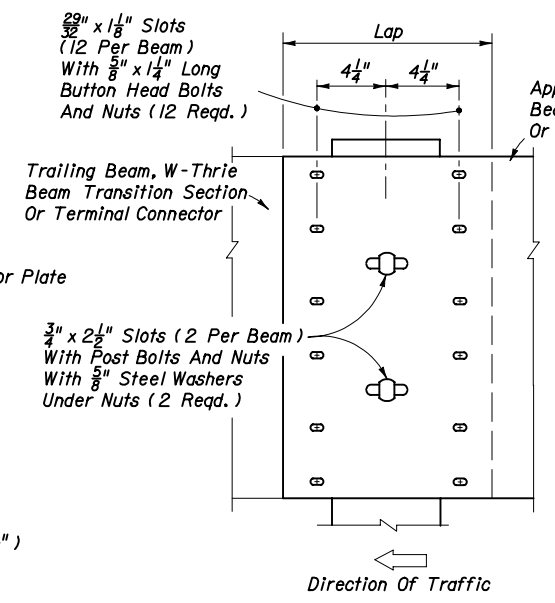


1/4" Plate
See Detail J For Application
FILLER PLATE

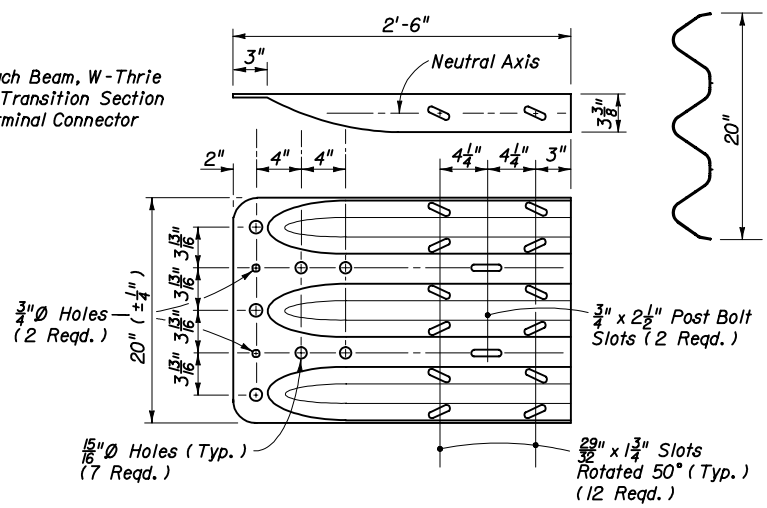
GALVANIZED STEEL BACK-UP PLATES FOR CONNECTING SPECIAL END SHOES AND TERMINAL CONNECTORS TO CONCRETE BRIDGE TRAFFIC RAILING BARRIERS AND CONCRETE BARRIER WALLS



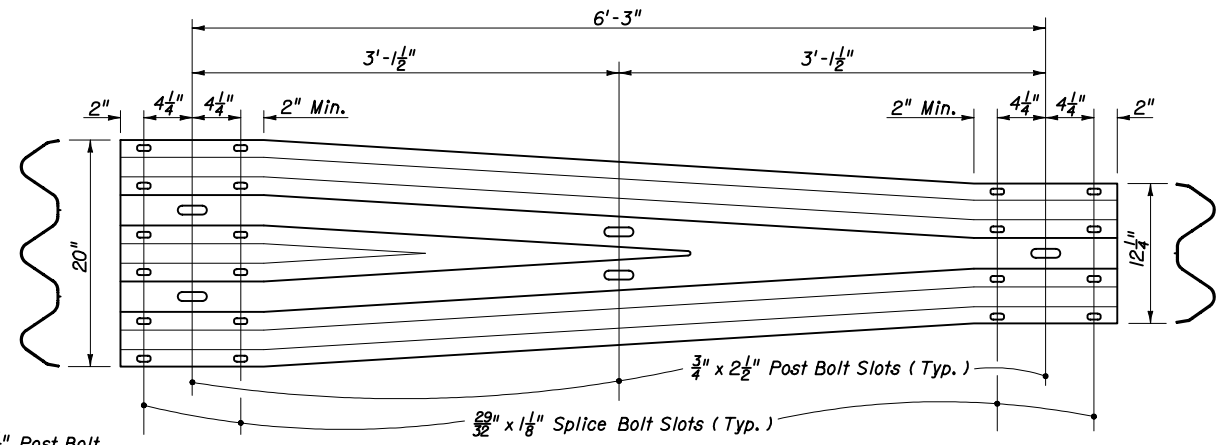
THRIE-BEAM



THRIE-BEAM RAIL SPLICE



Note: 5/8" \varnothing steel washer required with splice bolts
THRIE-BEAM TERMINAL CONNECTOR



W-THRIE BEAM TRANSITION SECTION

THE SEALED RECORD OF THIS STANDARD IS ON FILE IN THE ROADWAY DESIGN OFFICE.

INTERIM STANDARD IN ENGLISH UNITS APPLICABLE TO DESIGN STANDARDS BOOKLET PUBLISHED IN ENGLISH UNITS.

Date: 06-30-03

STATE OF FLORIDA DEPARTMENT OF TRANSPORTATION		
GUARDRAIL		
INTERIM STANDARD	APPROVED BY	
THIS SHEET REPLACES INDEX NO. 400, SHEET 19 OF 32 OF THE DESIGN STANDARDS, BOOKLET DATED JANUARY 2002.	REVISION NO.	SHEET NO.
	02	1 of 1
		INDEX NO. 0400