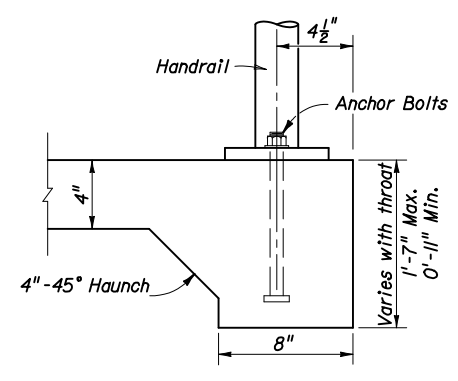
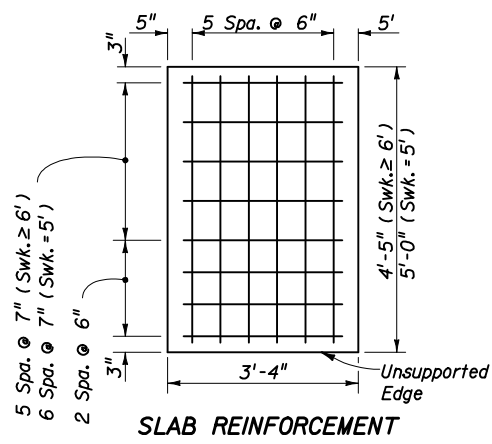


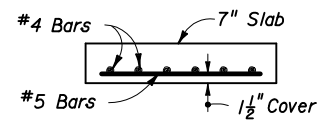
PLAN



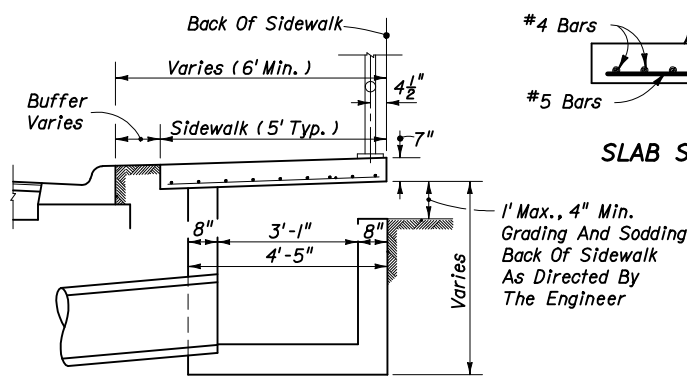
SECTION BB



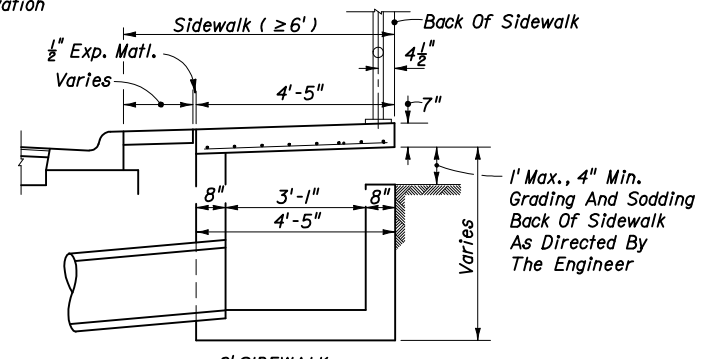
SLAB REINFORCEMENT



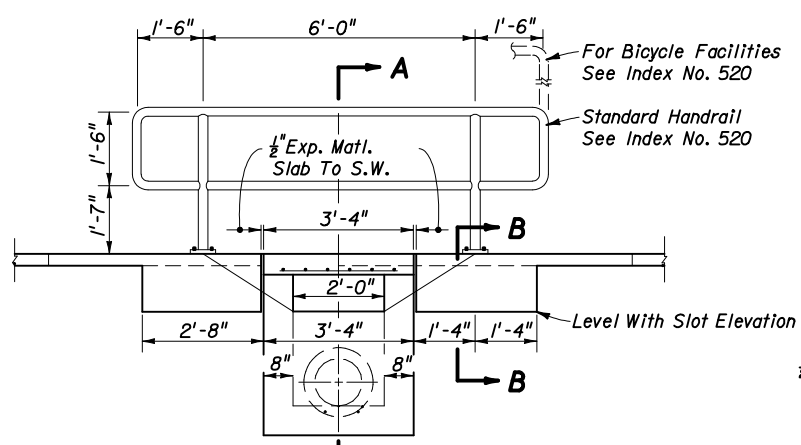
SLAB SECTION



5' SIDEWALK SECTION AA



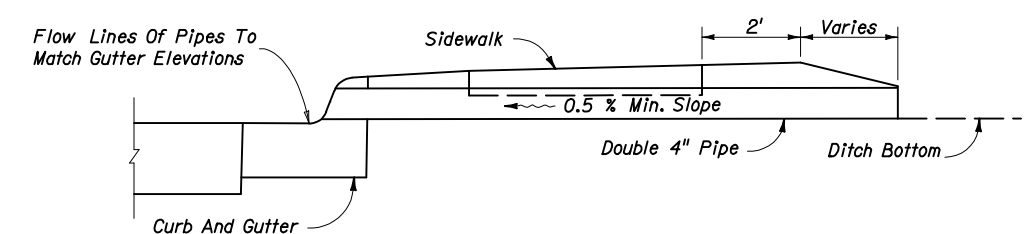
$\geq 6'$ SIDEWALK SECTION AA



FRONT ELEVATION

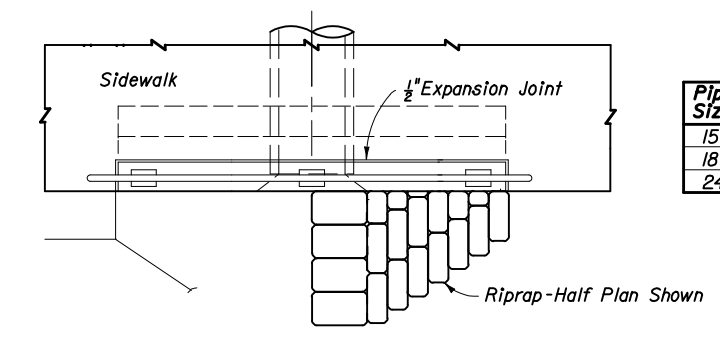
Notes: 1. For additional details see Index No. 232.
2. Inlet to be paid for under the contract unit price for Inlets (Ditch Bottom Type C Modified), EA. Handrail to be paid for under the contract unit price for Pipe Handrail, (Material), LF.

INLET TYPE C (MODIFIED)

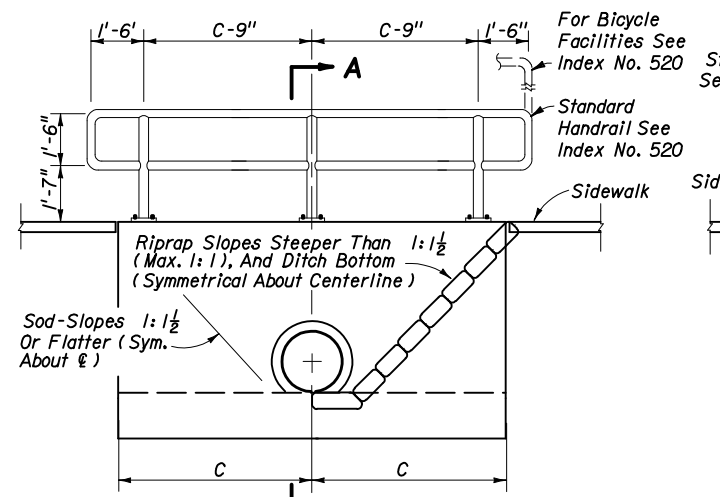


Notes: 1. To be constructed at locations as directed by the Engineer.
2. Either cast iron pipe or PVC rigid conduit, U.L. listed for direct sunlight exposure, Schedule 40, may be used.
3. Pipe to be paid for under the contract unit price for either Cast Iron Soil Pipe (Standard) (4"), LF or Polyvinyl Chloride Pipe Culvert (4"), LF.

SHALLOW DITCHES



PLAN

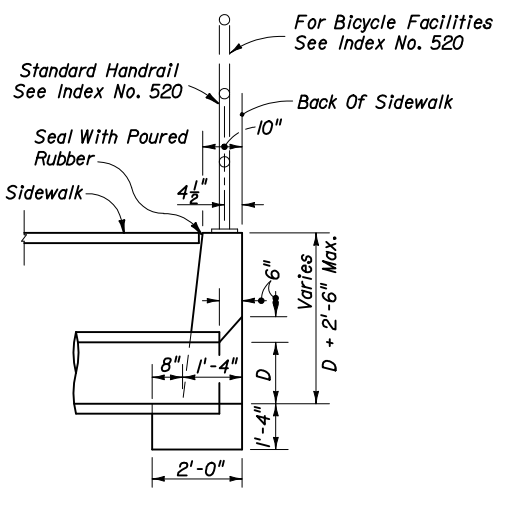


FRONT ELEVATION

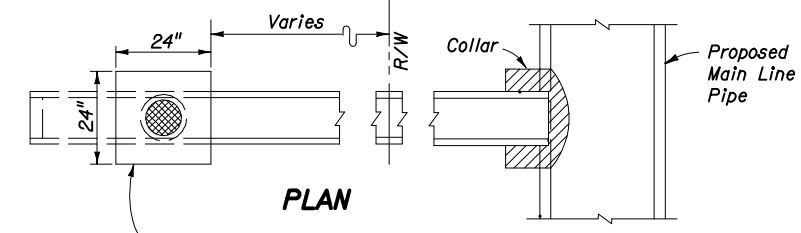
Notes: 1. Maximum pipe size shall be 24" diameter.
2. Grading back of sidewalk varies and shall be done as directed by the Engineer.
3. Concrete quantities shown are for maximum wall heights, and shall be basis for estimate and payment.
4. Riprap quantities shown are for estimate purposes only. Cost of riprap to be included in cost of the endwall.
5. Endwalls to be paid for under the contract unit price for Conc. Class I (Endwalls), CY. Handrail to be paid for under the contract unit price for Pipe Handrail, (Material), LF.

SPECIAL CONCRETE ENDWALL

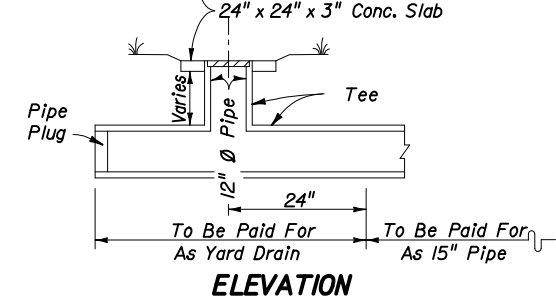
Pipe Size	C	Conc. -CY	Riprap -CY (Sand-Cement)
15"	4'-9"	2.27	1.1
18"	5'-3"	2.59	1.3
24"	6'-3"	3.26	1.8



SECTION AA



PLAN



ELEVATION

Notes: 1. Yard drains to be located outside the R/W. Drainage area should not exceed 750 S.F. (grate flow 0.1 Cfs).
2. Yard drains may be constructed at the option of the property owner as shown on the plans.
3. Cost of plugs and collars to be included in the cost for 15" pipe. For collar and plug details see Index No. 280.
4. Yard drains to be paid for under the contract unit price for Yard Drains, EA.

YARD DRAINS

YARD DRAIN ITEM INCLUDES :

- 15" x 15" x 12" Concrete or PVC Tee 4' long.
- One (1) Grate-Neenah No. R-4030, Phoenix No. P-1058, U.S. Foundry No. 5605 or equivalent.
- 12" pipe as necessary.
- 0.04 Cu. yds. conc. for slab.

STATE OF FLORIDA DEPARTMENT OF TRANSPORTATION

BACK OF SIDEWALK DRAINAGE

Names	Dates	Approved By		
Designed By		S. A. McHenry State Drainage Engineer		
Drawn By				
Checked By				
		Revision	Sheet No.	Index No.
		02	1 of 1	282