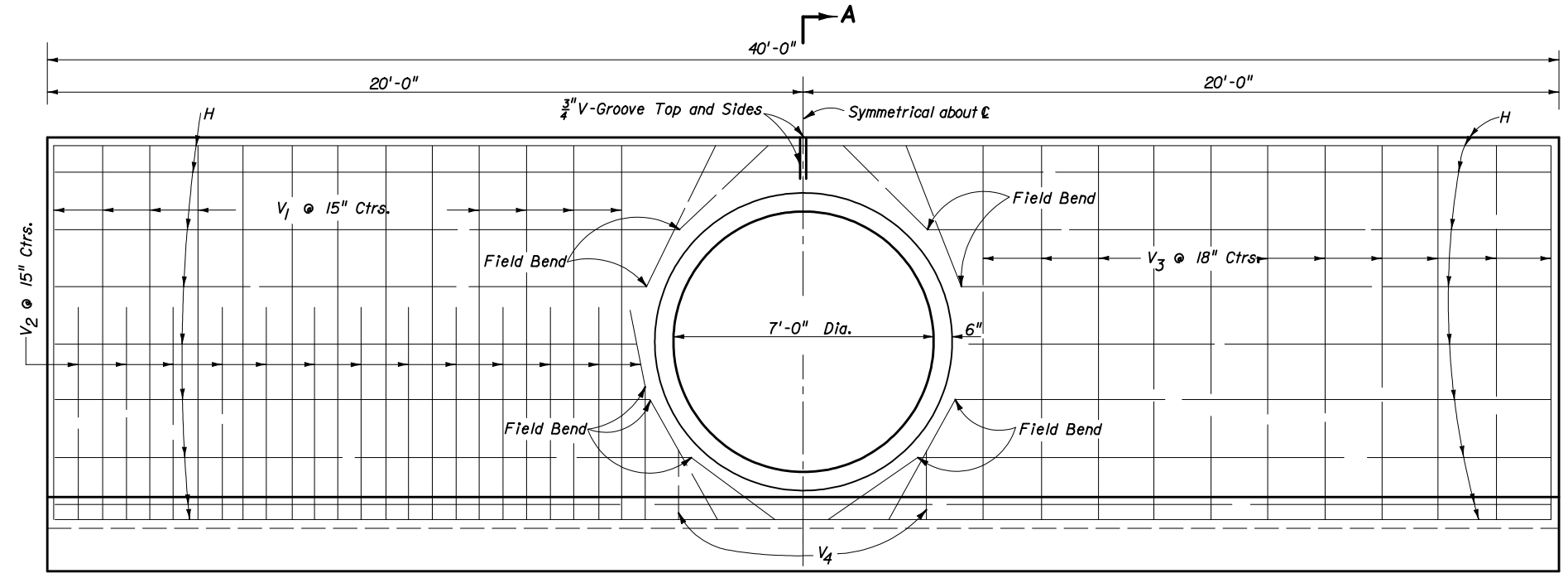


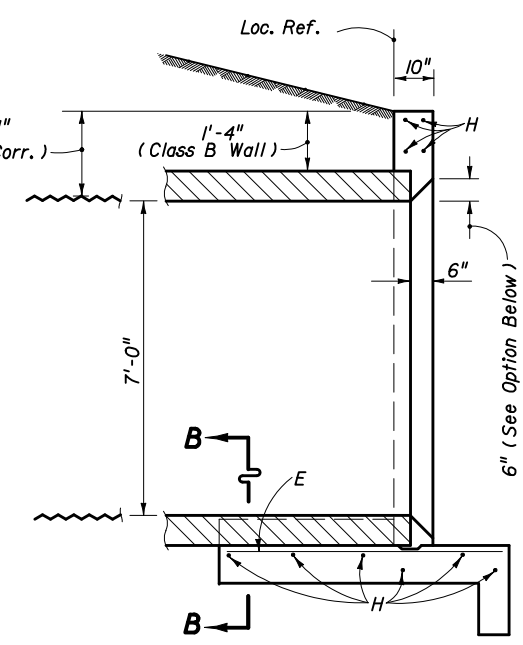
PLAN
(Showing Bars In Footing)



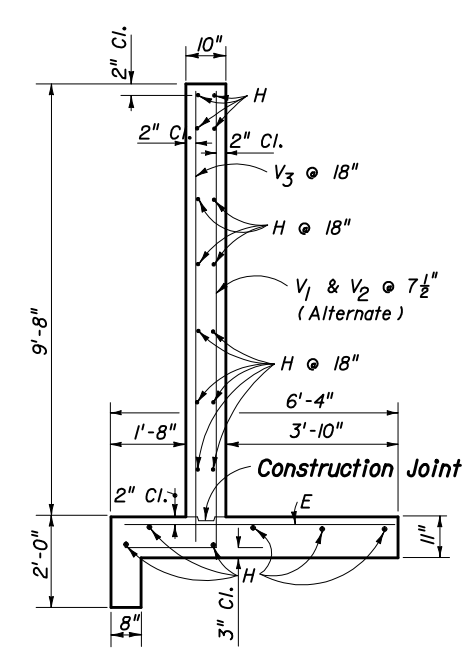
HALF ELEVATION
(Showing Bars In Back Face Of Wall)

GENERAL NOTES

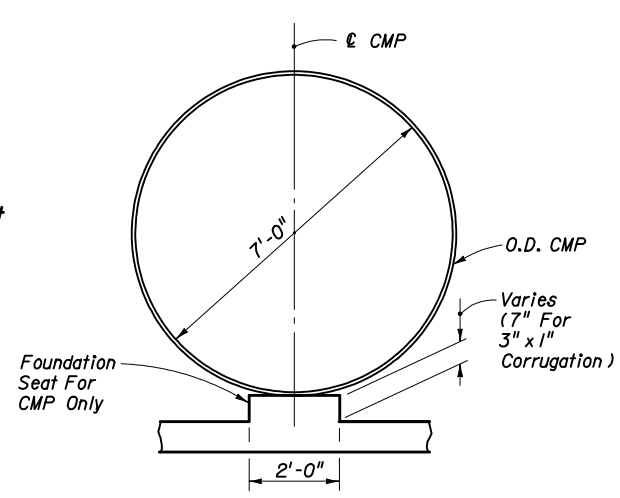
1. Straight concrete endwalls are intended for use outside the clear zone.
2. Endwalls may be cast-in-place or precast construction. Cast-in-place endwalls shall conform to the details on this index, design specifications AASHTO 1989. Precast construction which adheres to this index, including any additional reinforcement required for handling which shall be determined by the Contractor or supplier, does not require additional approvals. Deviations from this index, for precast units, shall require the approval of the State Drainage Engineer prior to construction. For precast construction, see Index No. 201 for opening and grouting details.
3. Reinforcing steel shall be either Grade 40 or 60.
4. Concrete shall be Class II except concrete meeting the requirements of ASTM C 478 (4000 PSI) may be used in lieu of Class II concrete in precast units manufactured in plants which are under the Standard Operating Procedures for the inspection of precast drainage products.
5. Chamfer: All exposed edges and corners to be chamfered $\frac{3}{4}$ " unless otherwise shown.
6. Metal pipe shall be bituminous coated on all surfaces in contact with concrete and 12" beyond the boundary of contact. Any suitable bituminous material may be field applied.
7. Sodding shall be in accordance with Index No. 281 and paid for under the contract unit price for Sodding, SY.
8. Basis of payment for either cast-in-place or precast construction shall be the estimated quantities tabulated on the index. Concrete and reinforcing steel shall be paid for under the contract unit prices for Concrete, Class II (Endwalls), CY and Reinforcing Steel (Roadway), LB.



SECTION AA



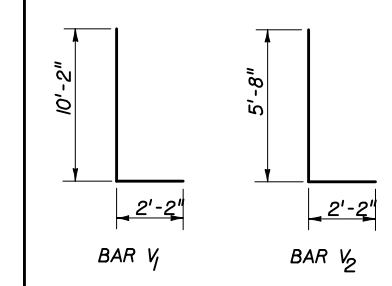
TYPICAL SECTION THRU ENDWALL



SECTION BB

BILL OF REINFORCING STEEL			
MARK	SIZE	NO. REQ'D	LENGTH
E	6	69	6'-0"
H	4	20	39'-8"
V ₁	6	26	12'-4"
V ₂	6	26	7'-10"
V ₃	4	22	10'-2"
V ₄	4	4	2'-0"

BENDING DIAGRAM

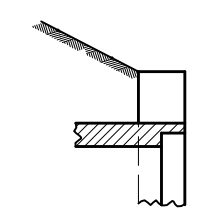


NOTE: All bar dimensions are out to out

ESTIMATED QUANTITIES

ITEM	UNIT	RCP	CMP
Concrete Class II	Cu. Yd.	20.0	20.2
Reinforcing Steel	Lb.	2,095	2,095

OPTIONAL ENTRANCE FOR CONCRETE PIPE



STATE OF FLORIDA DEPARTMENT OF TRANSPORTATION

**STRAIGHT CONCRETE ENDWALL
SINGLE 84" PIPE**

Names	Dates	Approved By		
Designed By		S. A. McHenry State Drainage Engineer		
Drawn By	WHW 07/58			
Checked By	HCG 07/58	Revision	Sheet No.	Index No.
		00	1 of 1	255