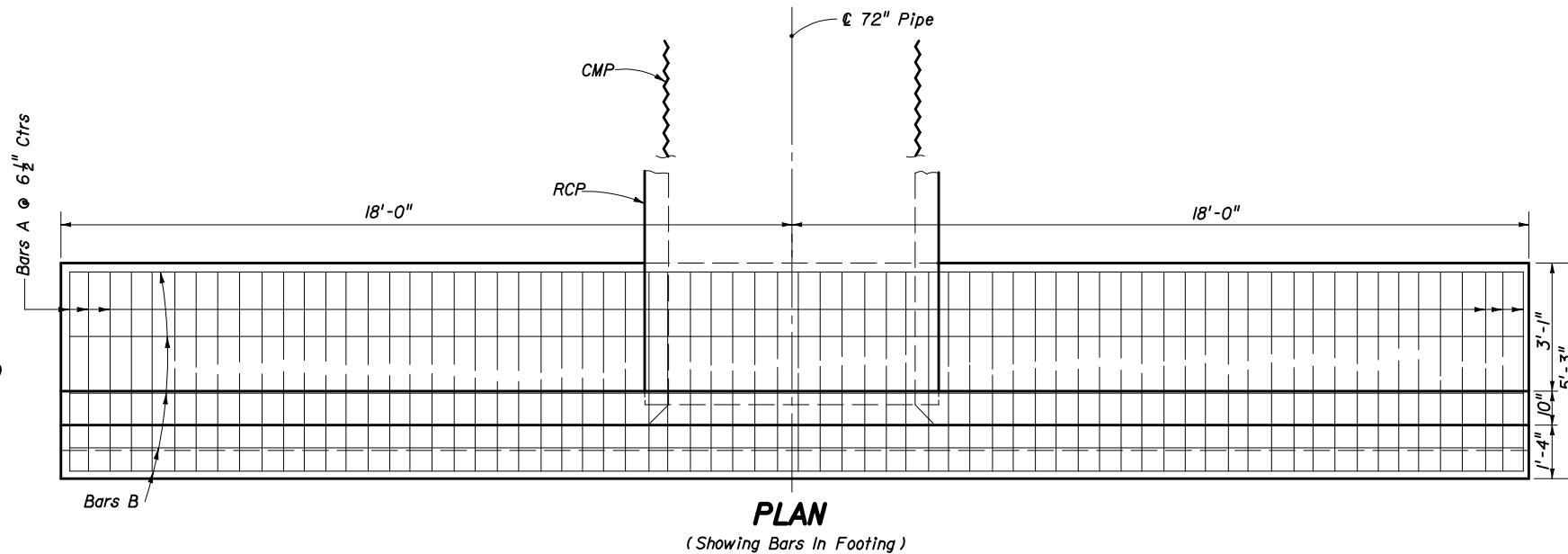


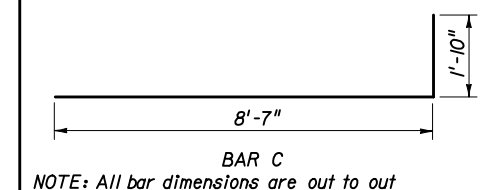
SECTION BB



PLAN
(Showing Bars In Footing)

BILL OF REINFORCING STEEL					
MARK	SIZE	NO. REQ'D	LENGTH	LOCATION	BENDING
A	5	68	4'-11"	Footing	Straight
B	4	17	35'-8"	Footing & Wall	Straight
C	5	34	10'-5"	Wall	Bend
D	4	20	8'-7"	Wall	Straight
E	4	4	2'-6"	Wall	Straight
F	4	4	1'-6"	Wall	Straight

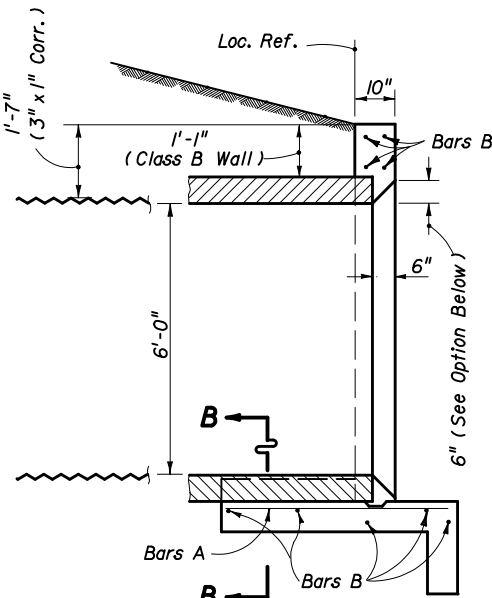
BENDING DIAGRAM



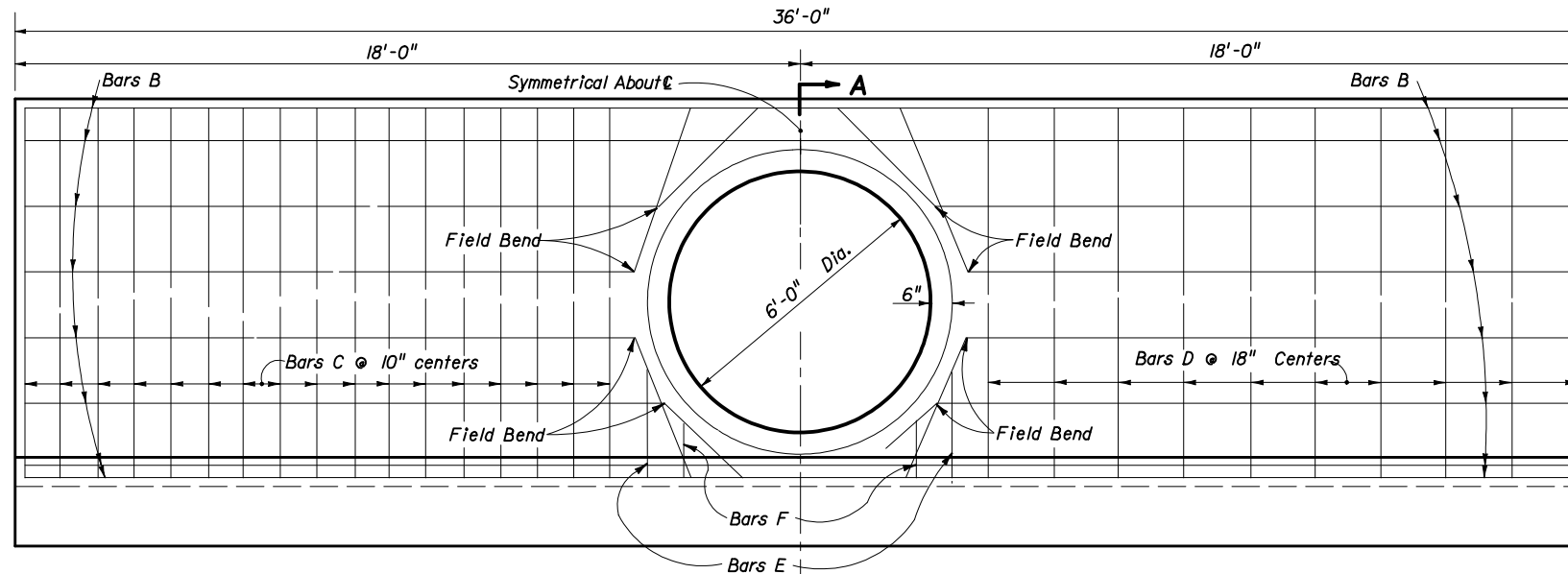
NOTE: All bar dimensions are out to out

ESTIMATED QUANTITIES

ITEM	UNIT	RCP	CMP
Concrete Class II	Cu. Yd.	14.4	14.5
Reinforcing Steel	Lb.	1249	1249



SECTION AA

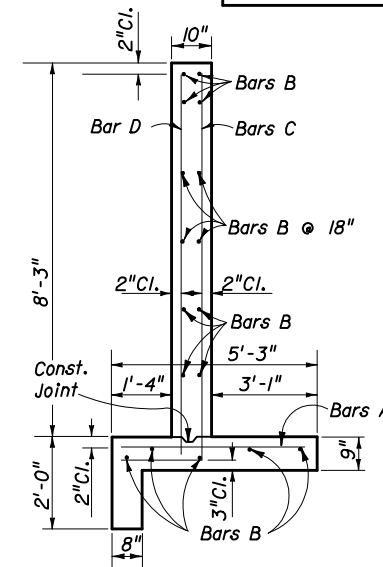


HALF ELEVATION
(Showing Bars In Back Face Of Wall)

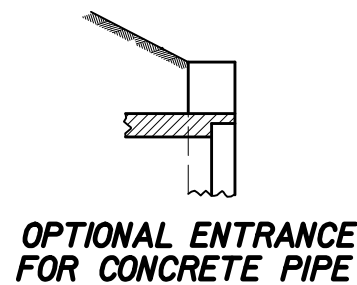
NOTE: Cut and field bend Bars B as shown

HALF ELEVATION
(Showing Bars In Front Face Of Wall)

GENERAL NOTES



TYPICAL SECTION THRU ENDWALL



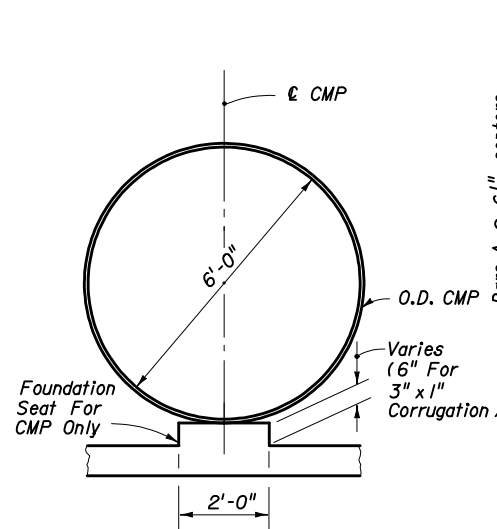
OPTIONAL ENTRANCE FOR CONCRETE PIPE

1. Straight concrete endwalls are intended for use outside the clear zone.
2. Endwalls may be cast-in-place or precast construction. Cast-in-place endwalls shall conform to the details on this index, design specifications AASHTO 1989. Precast construction which adheres to this Index, including any additional reinforcement required for handling which shall be determined by the Contractor or supplier, does not require additional approvals. Deviations from this Index, for precast units, shall require the approval of the State Drainage Engineer prior to construction. For precast construction, see Index No. 201 for opening and grouting details.
3. Reinforcing steel shall be either Grade 40 or 60.
4. Concrete shall be Class II except concrete meeting the requirements of ASTM C 478 (4000 PSI) may be used in lieu of Class II concrete in precast units manufactured in plants which are under the Standard Operating Procedures for the inspection of precast drainage products.
5. Chamfer: All exposed edges and corners to be chamfered $\frac{3}{4}$ " unless otherwise shown.
6. Metal pipe shall be bituminous coated on all surfaces in contact with concrete and 12" beyond the boundary of contact. Any suitable bituminous material may be field applied.
7. Sodding shall be in accordance with Index No. 281 and paid for under the contract unit price for Sodding, SY.
8. Basis of payment for either cast-in-place or precast construction shall be the estimated quantities tabulated on the Index. Concrete and reinforcing steel shall be paid for under the contract unit prices for Concrete, Class II (Endwalls), CY and Reinforcing Steel (Roadway), LB.

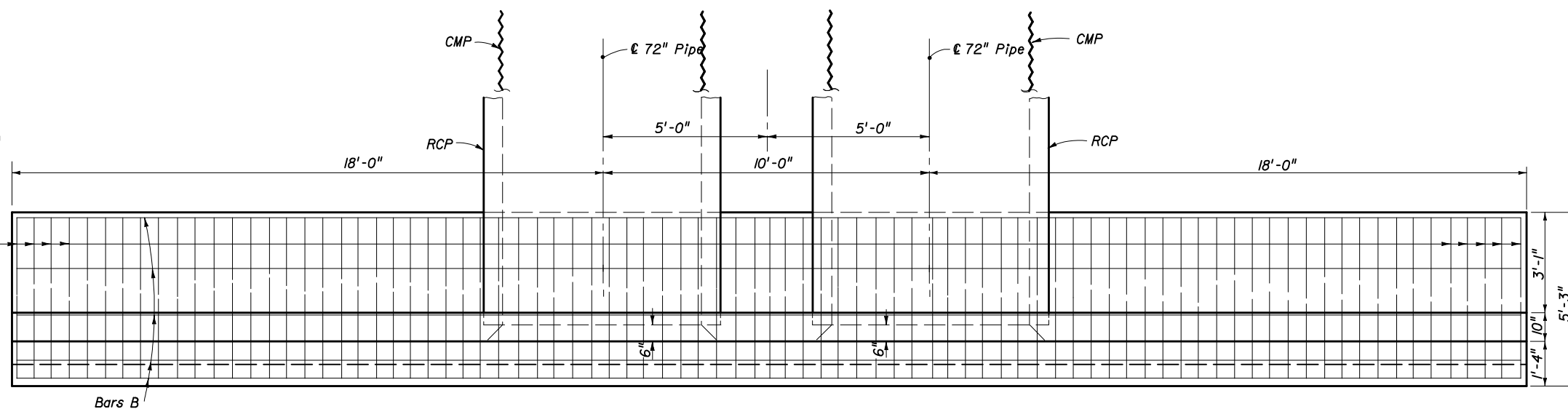
STATE OF FLORIDA DEPARTMENT OF TRANSPORTATION

STRAIGHT CONCRETE ENDWALLS
SINGLE AND DOUBLE 72" PIPE

Names	Dates	Approved By		
Designed By	EVC	10/55	S. A. McHenry State Drainage Engineer	
Drawn By			Revision	Sheet No.
Checked By	WHW	10/55	00	1 of 2
				Index No.
				253

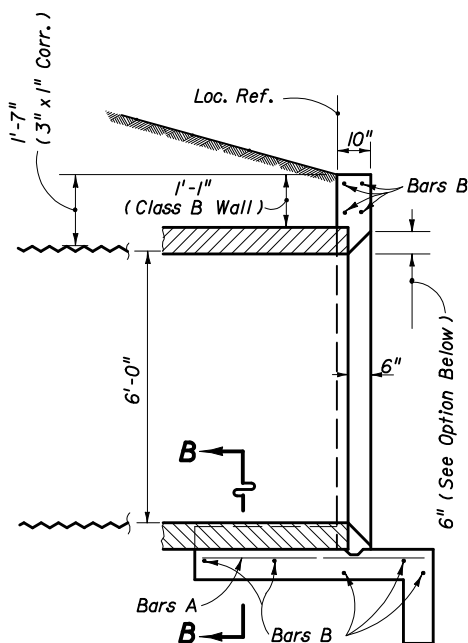


SECTION BB

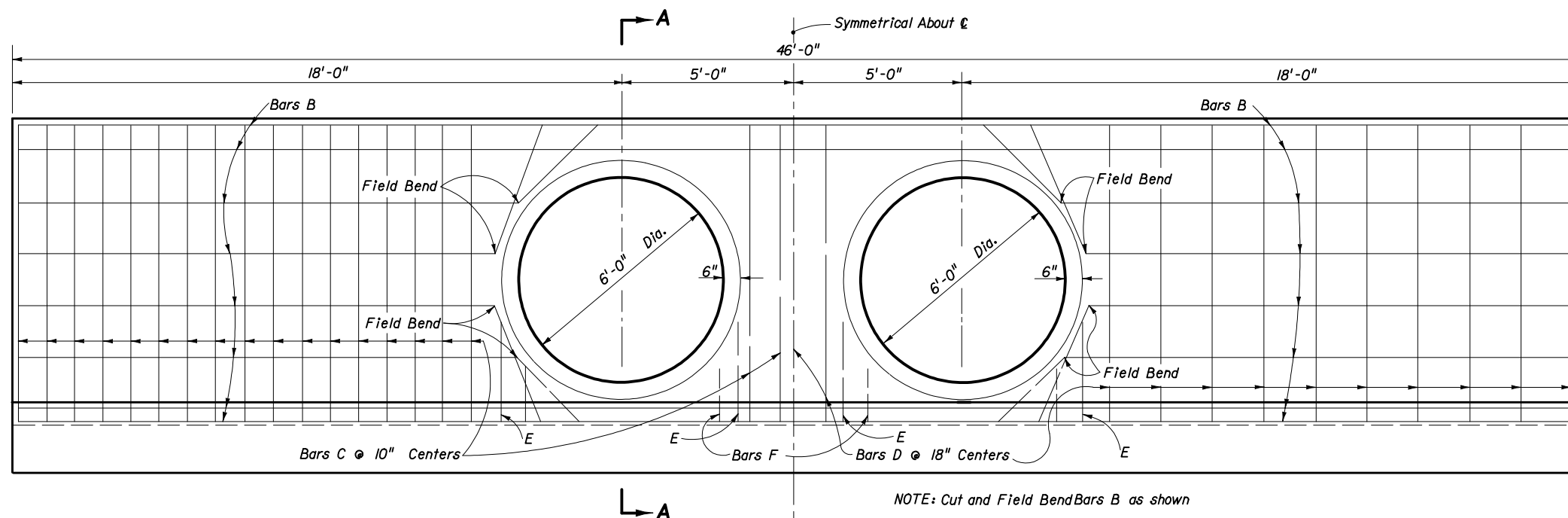


PLAN

(Showing Bars In Footing)



SECTION AA

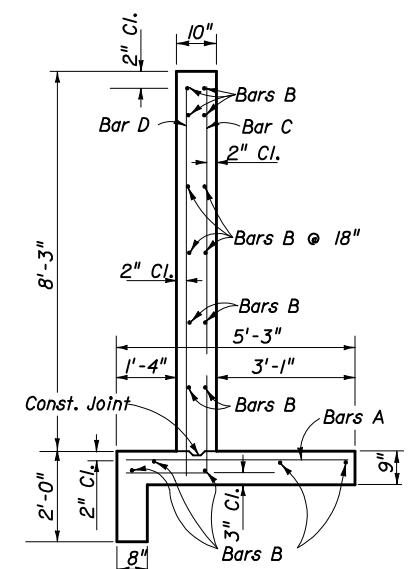


HALF ELEVATION

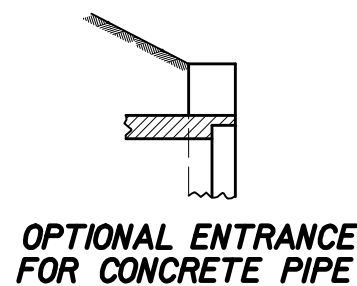
(Showing Bars In Back Face Of Wall)

HALF ELEVATION

(Showing Bars In Front Face Of Wall)

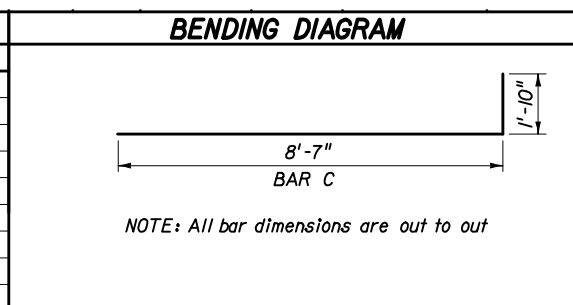


TYPICAL SECTION THRU ENDWALL



OPTIONAL ENTRANCE FOR CONCRETE PIPE

BILL OF REINFORCING STEEL					
MARK	SIZE	NO. REQ'D	LENGTH	LOCATION	BENDING
A	5	85	4'-11"	Footing	Straight
B	4	17	45'-8"	Footing & Wall	Straight
C	5	38	10'-5"	Wall	Bend
D	4	23	8'-7"	Wall	Straight
E	4	8	2'-6"	Wall	Straight
F	4	8	1'-6"	Wall	Straight



ESTIMATED QUANTITIES			
ITEM	UNIT	RCP	CMP
Concrete Class II	Cu. Yd.	17.5	17.8
Reinforcing Steel	Lb.	1519	1519

NOTE: See Sheet 1 of 2 for General Notes.

STATE OF FLORIDA DEPARTMENT OF TRANSPORTATION
STRAIGHT CONCRETE ENDWALLS
 SINGLE AND DOUBLE 72" PIPE

Names	Dates	Approved By		
Designed By	EVC	10/55	 State Drainage Engineer	
Drawn By				
Checked By	WHW	10/55	Revision	00
			Sheet No.	2 of 2
			Index No.	253