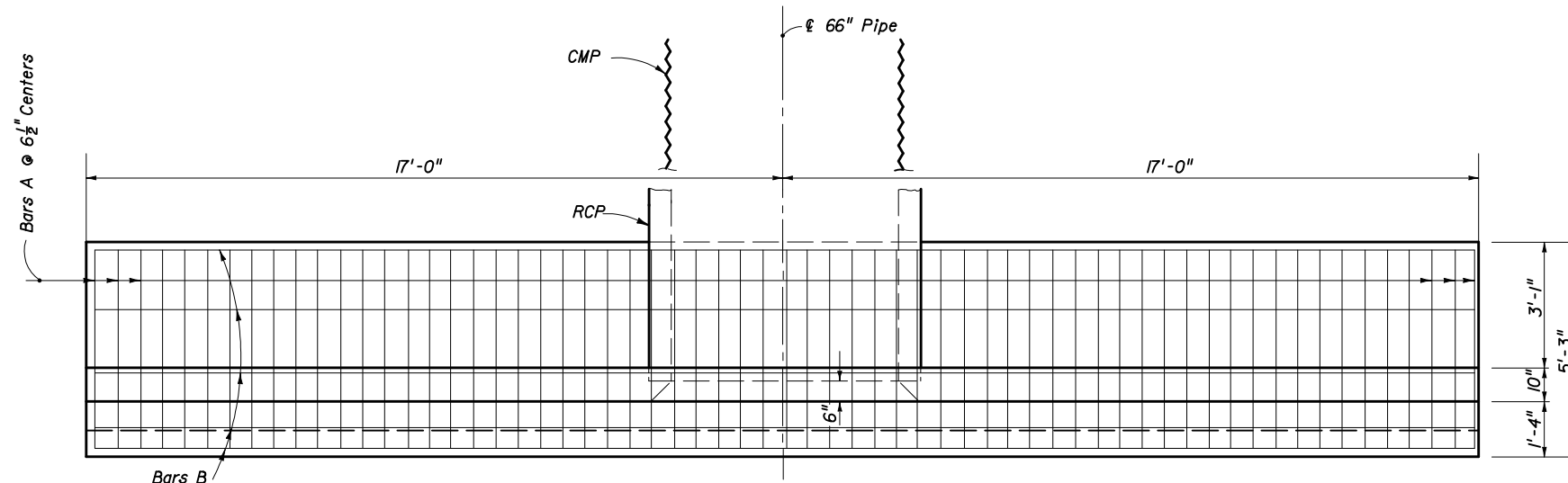


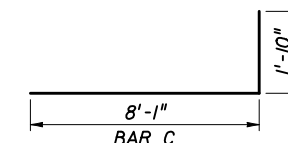
SECTION BB



PLAN
(Showing Bars In Footing)

BILL OF REINFORCING STEEL					
MARK	SIZE	NO. REQ'D	LENGTH	LOCATION	BENDING
A	5	63	4'-11"	Footing	Straight
B	4	17	33'-8"	Footing & Wall	Straight
C	5	34	9'-11"	Wall	Bend
D	4	20	8'-1"	Wall	Straight
E	4	4	1'-8"	Wall	Straight

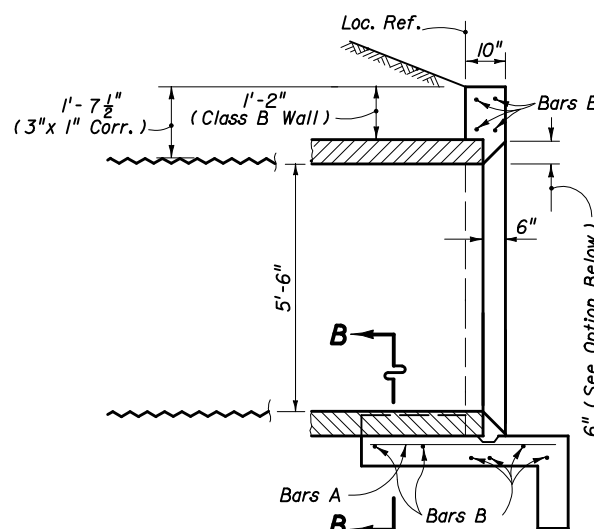
BENDING DIAGRAM



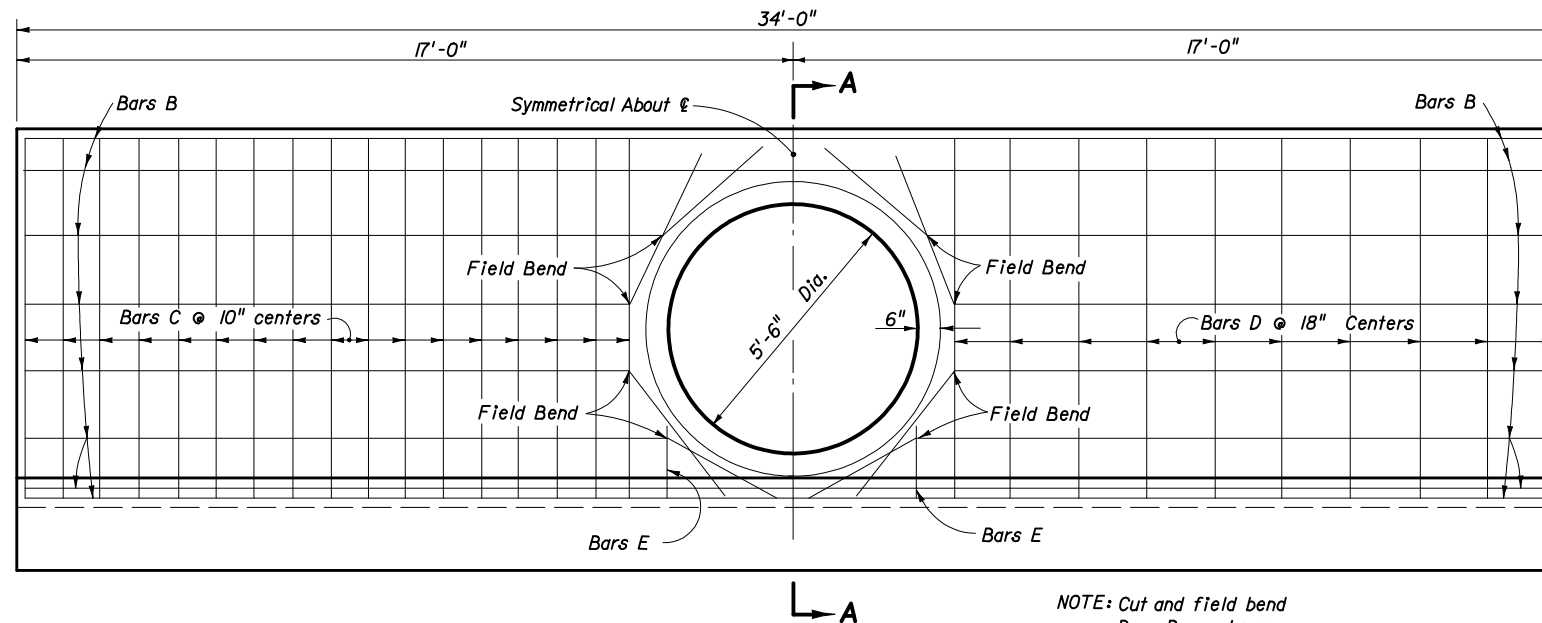
NOTE: All bar dimensions are out to out

ESTIMATED QUANTITIES

ITEM	UNIT	RCP	CMP
Concrete Class II	Cu. Yd.	13.2	13.3
Reinforcing Steel	Lb.	1170	1170

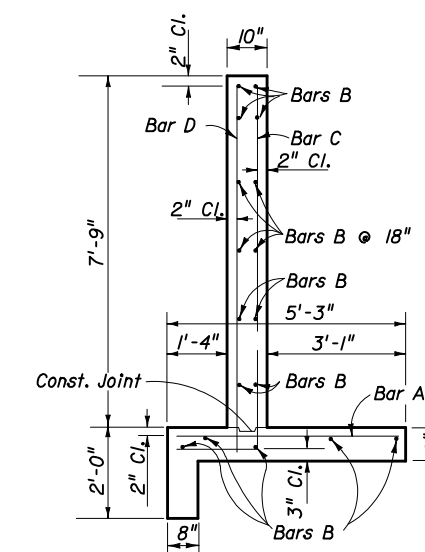


SECTION AA



HALF ELEVATION
(Showing Bars In Back Face Of Wall)

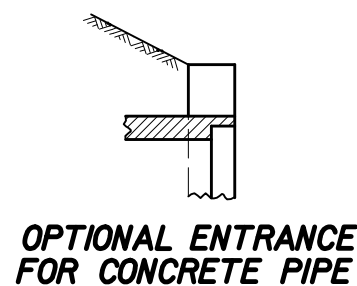
HALF ELEVATION
(Showing Bars In Front Face Of Wall)



TYPICAL SECTION THRU ENDWALL

GENERAL NOTES

1. Straight concrete endwalls are intended for use outside the clear zone.
2. Endwalls may be cast-in-place or precast construction. Cast-in-place endwalls shall conform to the details on this index, design specifications AASHTO 1989. Precast construction which adheres to this Index, including any additional reinforcement required for handling which shall be determined by the Contractor or supplier, does not require additional approvals. Deviations from this Index, for precast units, shall require the approval of the State Drainage Engineer prior to construction. For precast construction, see Index No. 201 for opening and grouting details.
3. Reinforcing steel shall be either Grade 40 or 60.
4. Concrete shall be Class II except concrete meeting the requirements of ASTM C 478 (4000 psi) may be used in lieu of Class II concrete in precast units manufactured in plants which are under the Standard Operating Procedures for the inspection of precast drainage products.
5. Chamfer: All exposed edges and corners to be chamfered $\frac{3}{4}$ " unless otherwise shown.
6. Metal pipe shall be bituminous coated on all surfaces in contact with concrete and 12" beyond the boundary of contact. Any suitable bituminous material may be field applied.
7. Sodding shall be in accordance with Index No. 281 and paid for under the contract unit price for Sodding, SY.
8. Basis of payment for either cast-in-place or precast construction shall be the estimated quantities tabulated on the Index. Concrete and reinforcing steel shall be paid for under the contract unit prices for Concrete Class II (Endwalls), CY and Reinforcing Steel (Roadway), LB.

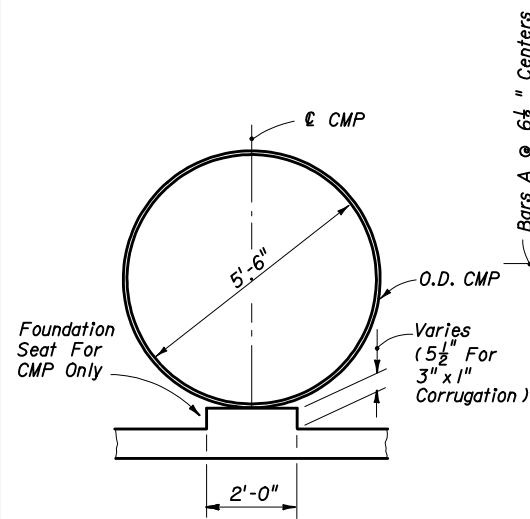


OPTIONAL ENTRANCE FOR CONCRETE PIPE

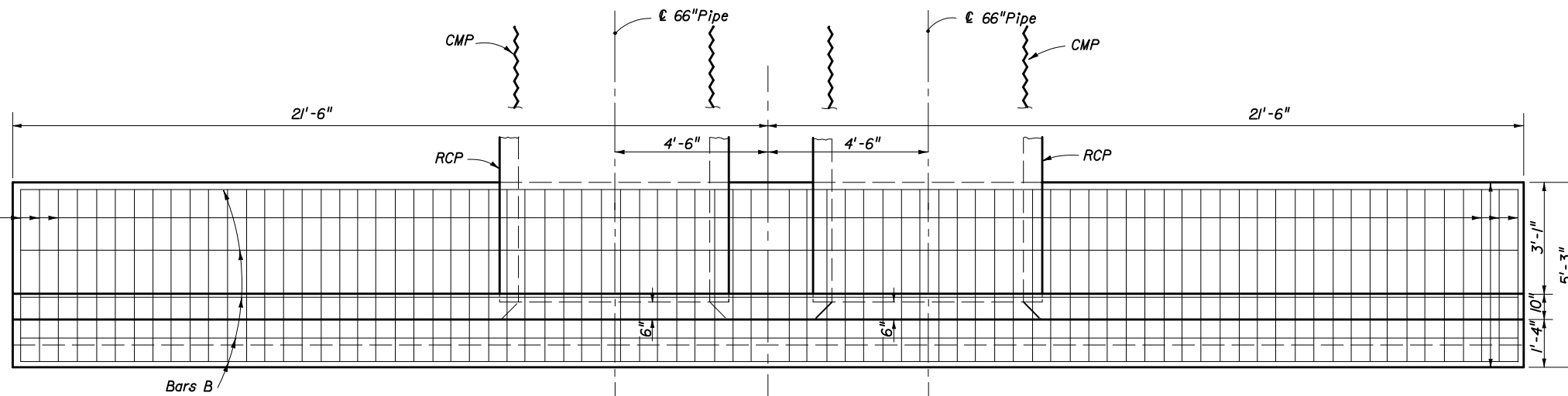
STATE OF FLORIDA DEPARTMENT OF TRANSPORTATION

STRAIGHT CONCRETE ENDWALLS
SINGLE AND DOUBLE 66" PIPE

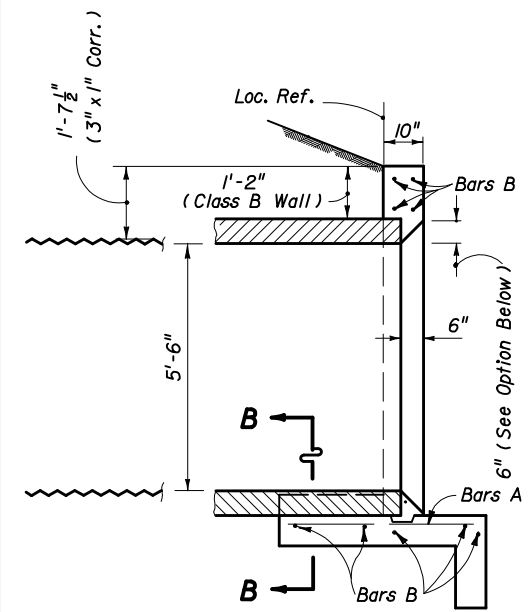
Designed By	JLW	Dates	03/54	Approved By	<i>S. A. McHenry</i>
Drawn By		Revision		State Drainage Engineer	
Checked By	RCB	03/54	00	Sheet No.	1 of 2
				Index No.	252



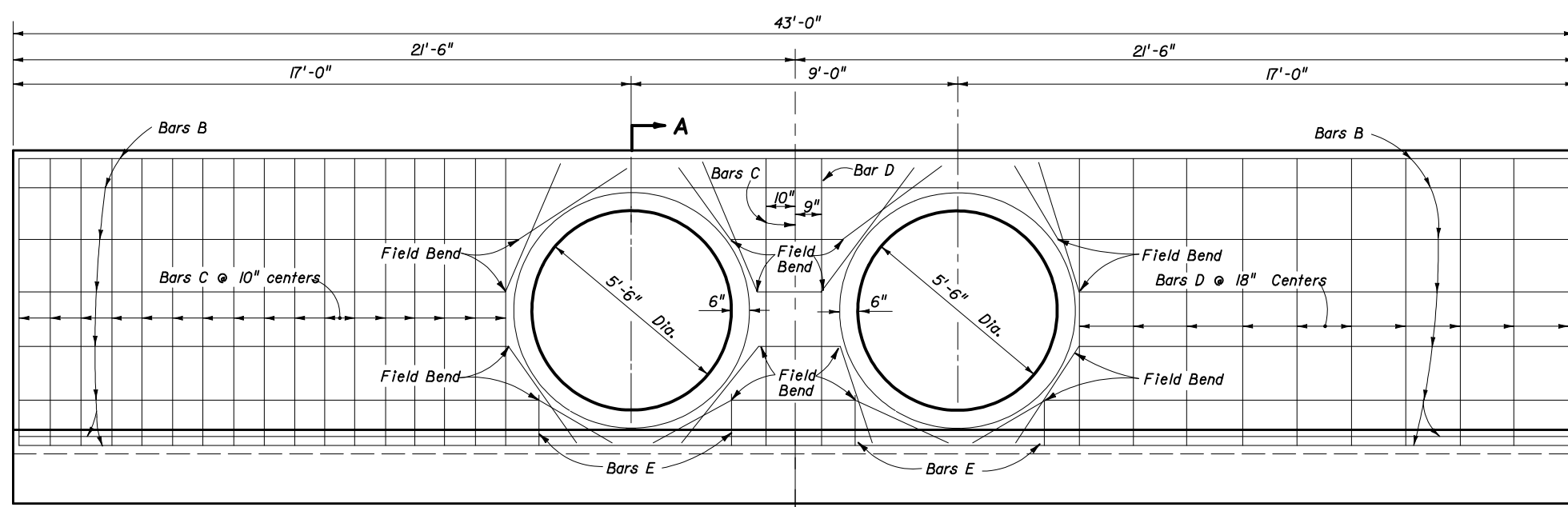
SECTION BB



PLAN
(Showing Bars In Footing)

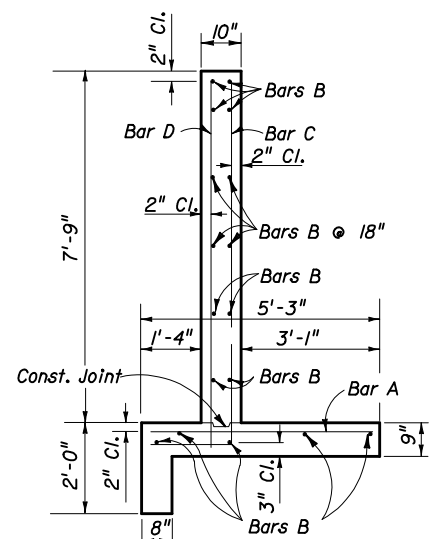


SECTION AA

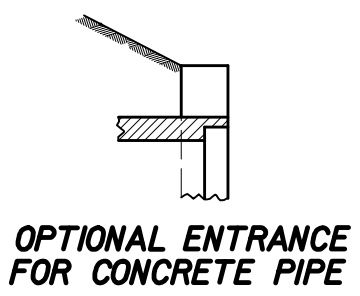


HALF ELEVATION
(Showing Bars In Back Face Of Wall)

HALF ELEVATION
(Showing Bars In Front Face Of Wall)



TYPICAL SECTION THRU ENDWALL



OPTIONAL ENTRANCE FOR CONCRETE PIPE

BILL OF REINFORCING STEEL						BENDING DIAGRAMS		ESTIMATED QUANTITIES			
MARK	SIZE	NO. REQ'D	LENGTH	LOCATION	BENDING	BENDING DIAGRAMS		ITEM	UNIT	RCP	CMP
A	5	80	4'-11"	Footing	Straight			Concrete Class II	Cu. Yd.	16.0	16.2
B	4	17	42'-8"	Footing & Wall	Straight			Reinforcing Steel	Lb.	1,406	1,406
C	5	37	9'-11"	Wall	Bend						
D	4	22	8'-1"	Wall	Straight						
E	4	8	1'-8"	Wall	Straight						

NOTE: All bar dimensions are out to out

NOTE: See Sheet 1 of 2 for General Notes.

STATE OF FLORIDA DEPARTMENT OF TRANSPORTATION

STRAIGHT CONCRETE ENDWALLS
SINGLE AND DOUBLE 66" PIPE

Designed By	JSP	Dates	11/79	Approved By	<i>S. A. McHenry</i>
Drawn By	FWT	Revision	11/79	Sheet No.	2 of 2
Checked By				Index No.	252