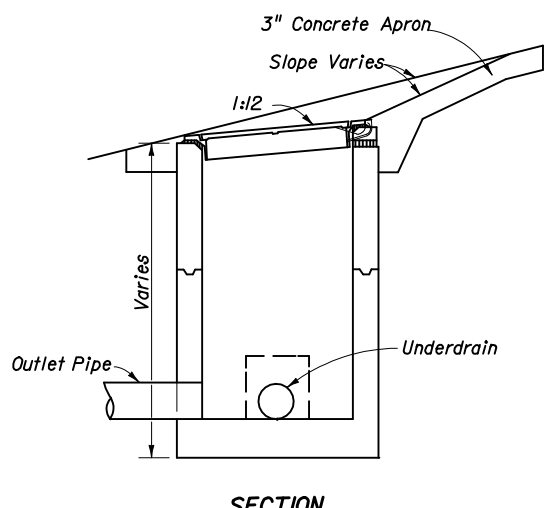
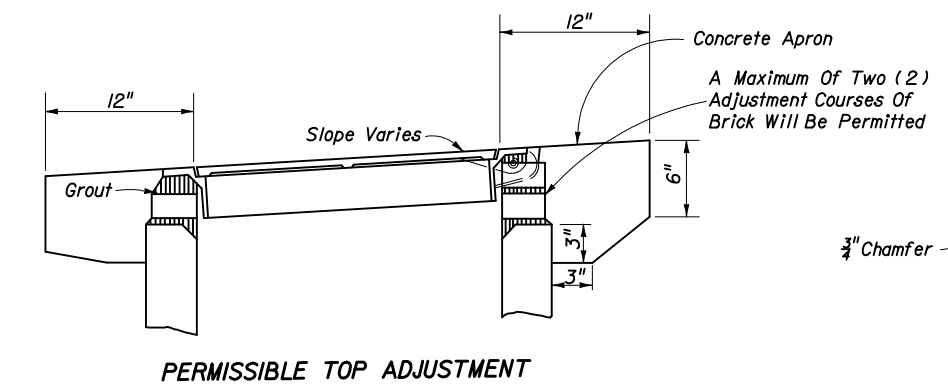


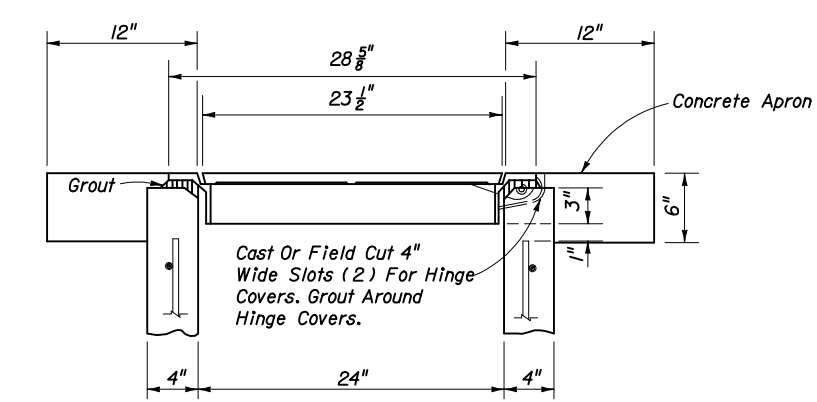
TYPICAL URBAN INSTALLATION



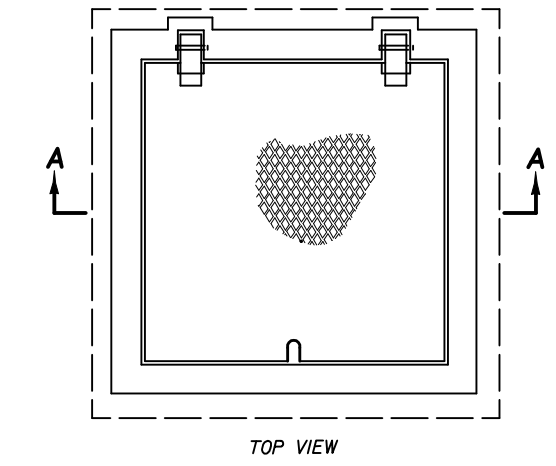
TYPICAL INSTALLATION ON SLOPES



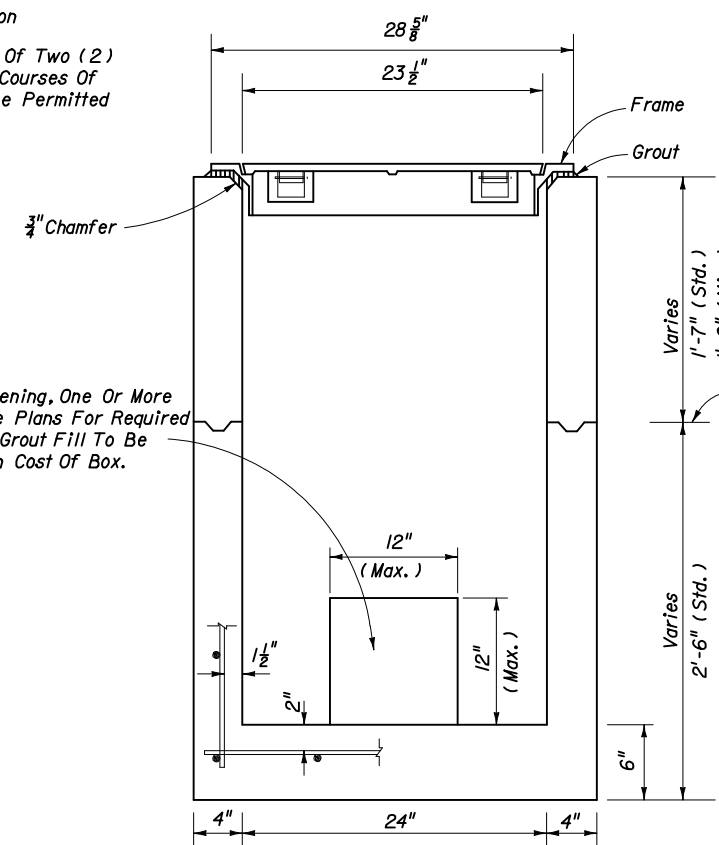
PERMISSIBLE TOP ADJUSTMENT



TYPICAL TOP AND APRON

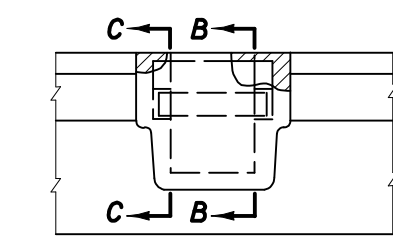


TOP VIEW

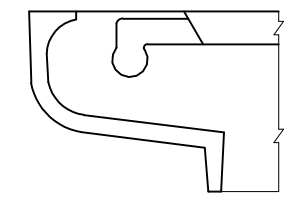


SECTION AA

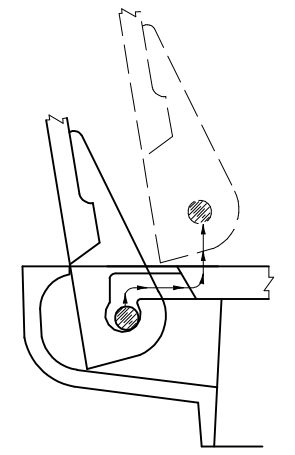
BOX AND TOP



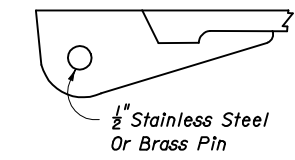
BACK VIEW



SECTION CC



COVER REMOVAL



SECTION BB

HINGE DETAIL

GENERAL NOTES

1. Cast iron cover and frame to be Neenah Foundry Company R-6660-JH, U.S. Foundry Manufacturing Corporation No. A-632 or equal. Neenah R-6660-JH detailed this index.
2. Box to be Class I Concrete, reinforced with No. 3 bars on 8" centers both ways, sides and bottom.
3. Concrete apron to be included in the contract unit price for Underdrain Inspection Box.
4. All covers shall be furnished with pick holes. Fitted lifts or handles are not permitted.
5. Manhole Type P Alternate A, Index 200, with Type I Frame and Cover, Index 201, may be used in lieu of the box detailed on this sheet, and is recommended when high ADT increases chance of the repeated vehicle loadings.

STATE OF FLORIDA DEPARTMENT OF TRANSPORTATION

UNDERDRAIN INSPECTION BOX

Designed By	WS	05/81	Approved By	<i>S. A. McHenry</i>	
Drawn By	JM	05/81	Revision	Sheet No.	Index No.
Checked By	JVG	05/81	00	1 of 1	245