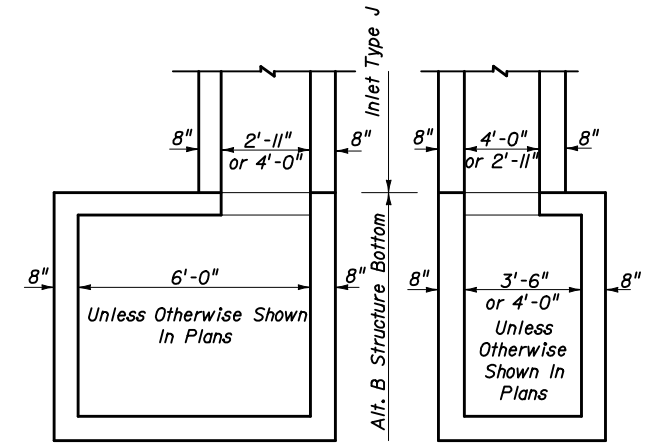
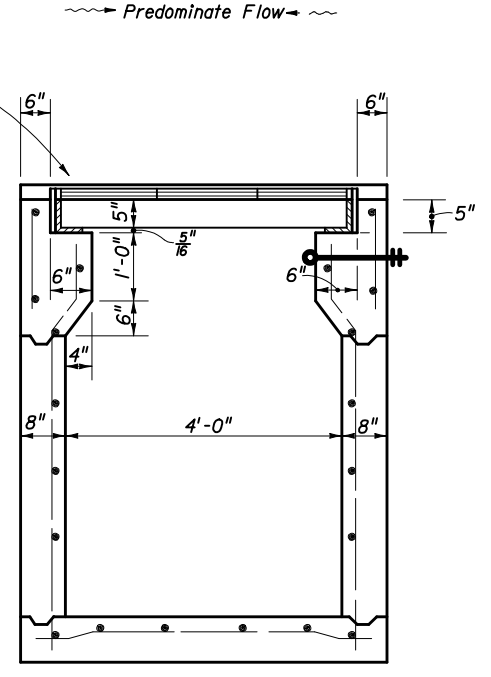
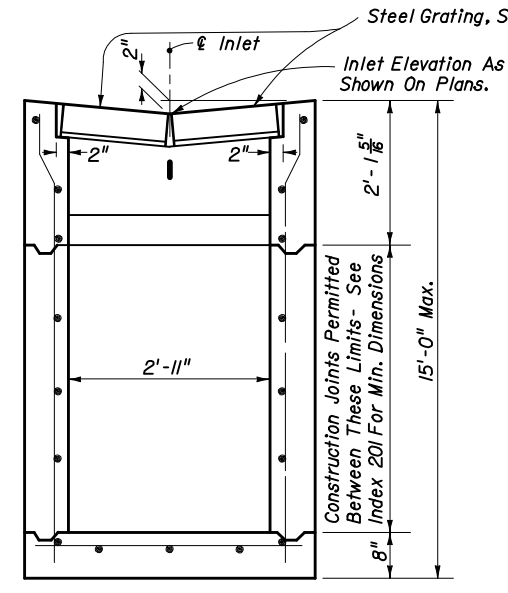
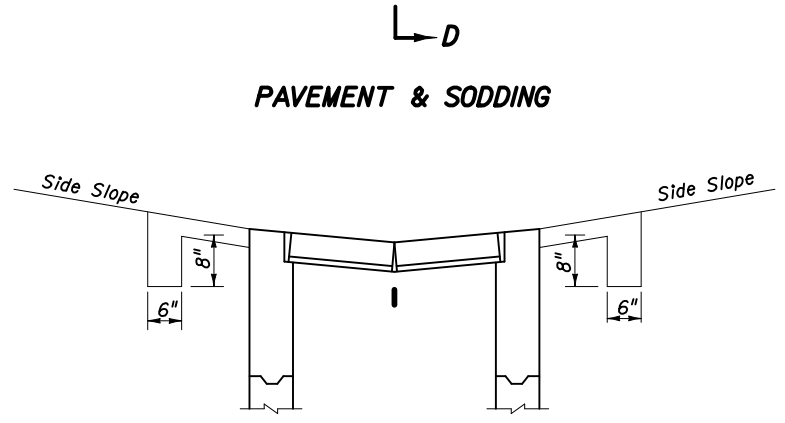


RECOMMENDED MAXIMUM PIPE SIZES	
INLET INSIDE WIDTH	PIPE SIZE
2'-11"	24"
4'-0"	30"

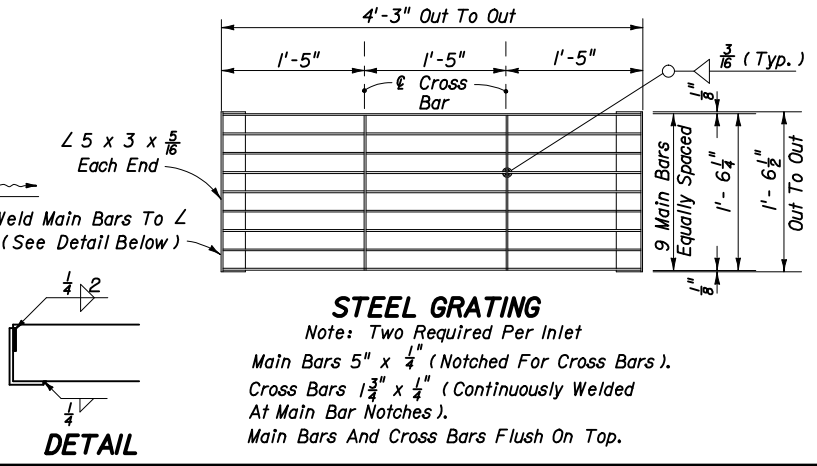
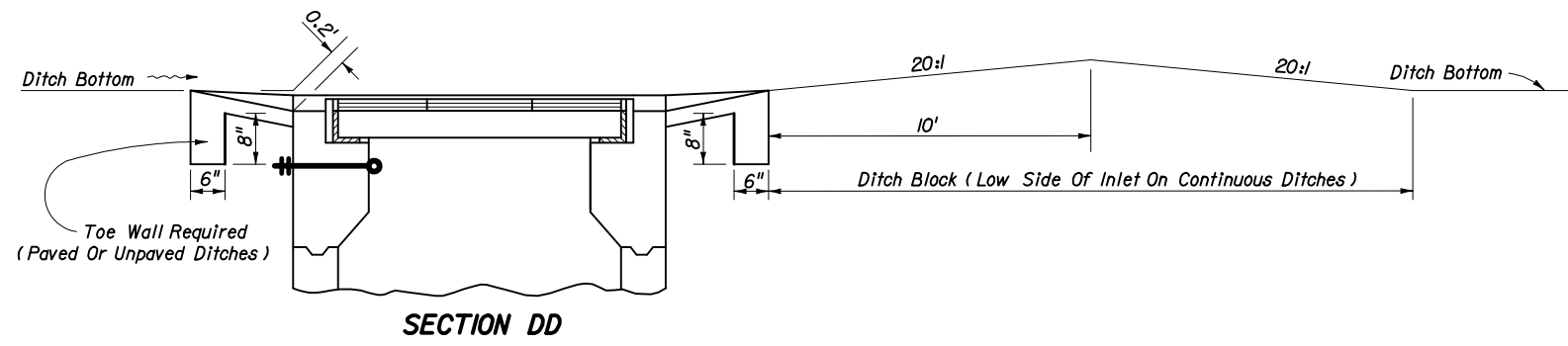
Note: Recommended sizes are for concrete pipe. Sizes for other types of pipe must be verified for fit in accordance with Index No. 201. For larger pipe see bottom detail right and Index No. 200.



NOTE: Alt. B Structure Bottom Only. See Index 200 for structure bottom details and hole reinforcement.



- GENERAL NOTES**
- This inlet is designed for ditches, medians or other areas subject to heavy wheel loads, where only light debris is expected and pedestrian traffic is anticipated. NOTICE: Inlet not for use in areas subject to bicycle traffic.
  - Reinforcing - #4 bars at 12" centers both ways with 2" clearance to inside face. Cut or bend bars out of way of pipe when necessary; bars to clear pipe by 1/2".
  - When alternate G grate is specified in plans the grate is to be hot dipped galvanized after fabrication.
  - For supplemental details, see Index 201.
  - Cost of ditch paving to be included in cost of inlet. Sodding to be paid for under contract unit price for Sodding, SY.



STATE OF FLORIDA DEPARTMENT OF TRANSPORTATION

**DITCH BOTTOM INLET TYPE J**

Names	Dates	Approved By		
Designed By	LMF	08/76	S. A. McHenry	
Drawn By			Revision	Sheet No.
Checked By	SRL	08/76	02	1 of 1
			Index No.	234