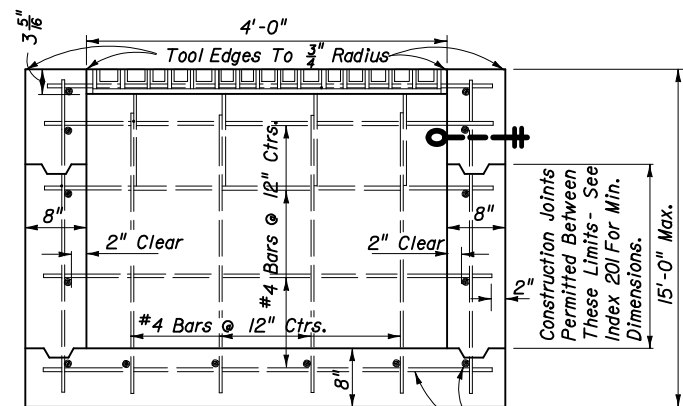
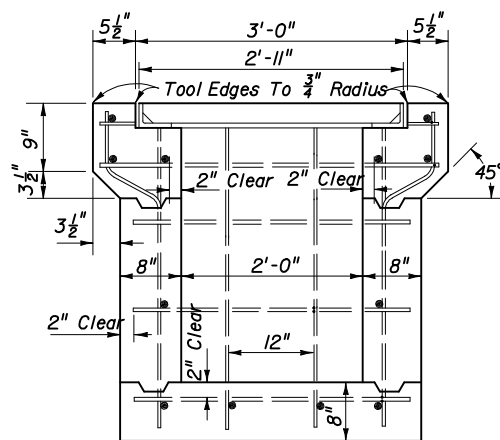


PLAN

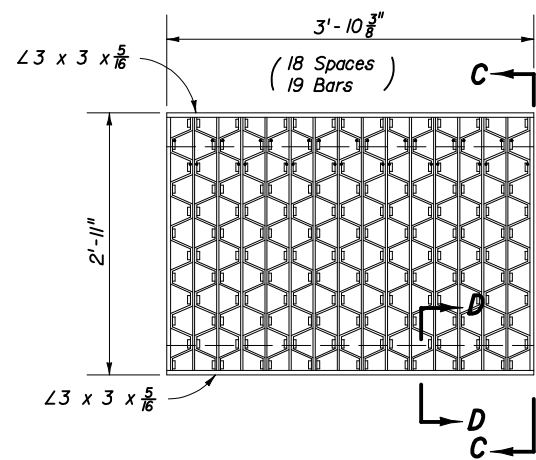


SECTION AA

#4 Bars @ 12" Ctrs.



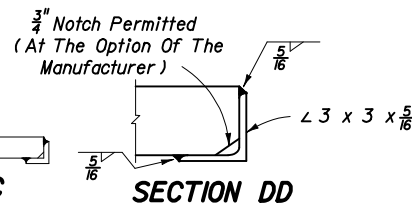
SECTION BB



STEEL GRATE

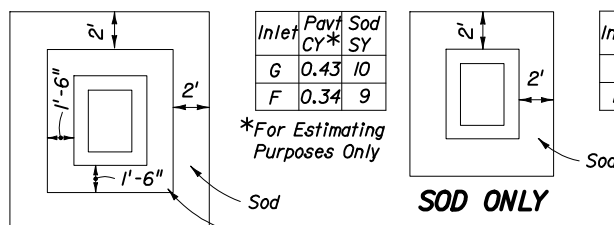
Steel Grating, Straight Bars 3" x 1/4"
Reticuline Bars 2" x 3/8"

TYPE F



SECTION CC

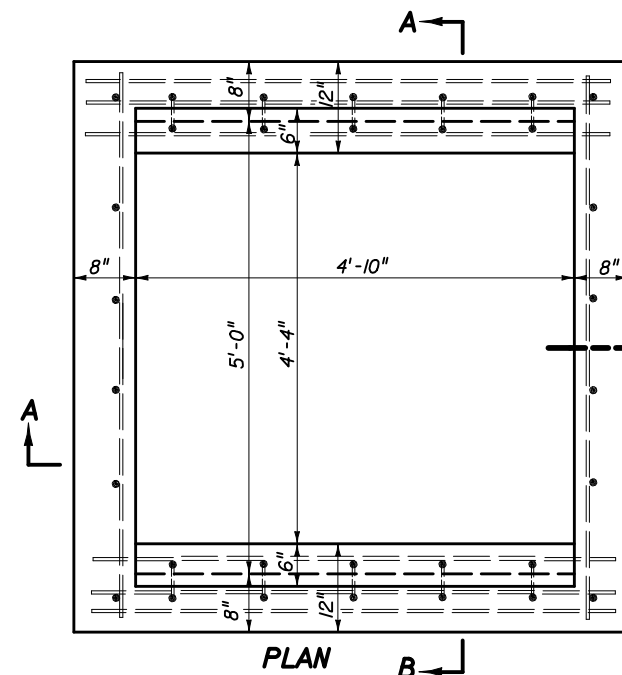
SECTION DD



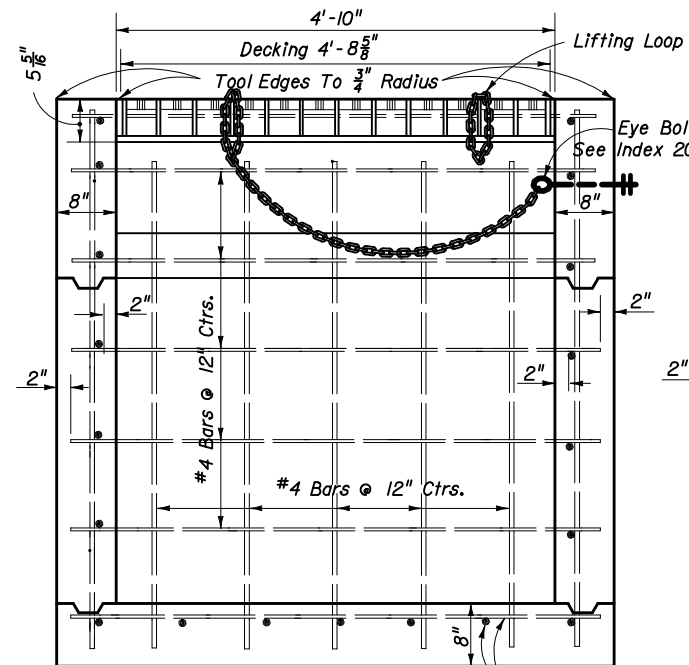
PAVT. AND SOD

Notes: 1. Pavement and/or sod to be used only where called for in the plans.
2. Cost of paving to be included in cost of inlet.

PAVEMENT AND SODDING

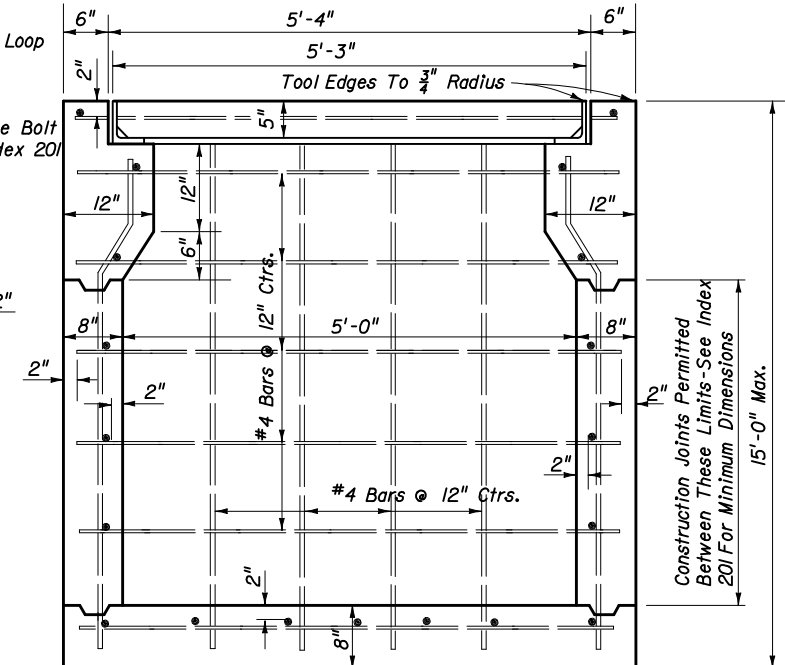


PLAN



SECTION AA

#4 Bars @ 12" Ctrs.



SECTION BB

TYPE G

GENERAL NOTES

- These inlets are designed for use in ditches, medians, pavement areas, or other areas subject to heavy wheel loads where debris is minimal and is subject to pedestrian and/or bicycle traffic.
- When alternate G grate is specified in plans, the grate is to be hot dipped galvanized after fabrication.
- These inlets may be used with Alt. B structure bottoms, Index 200. The inlet and bottom combinations are to be paid for under the contract unit price for Inlets (DT Bot) (Type F (or G)) (J Bot, Depth), Ea.
- For supplemental details (Type F only), see Index 201.

STATE OF FLORIDA DEPARTMENT OF TRANSPORTATION

DITCH BOTTOM INLETS
TYPES F & G

Names	Dates	Approved By					
Designed By	TWJ 01/50	S. A. McHenry State Drainage Engineer					
Drawn By	MEF 01/50						
Checked By	WHM 01/50	Revision	00	Sheet No.	1 of 1	Index No.	233