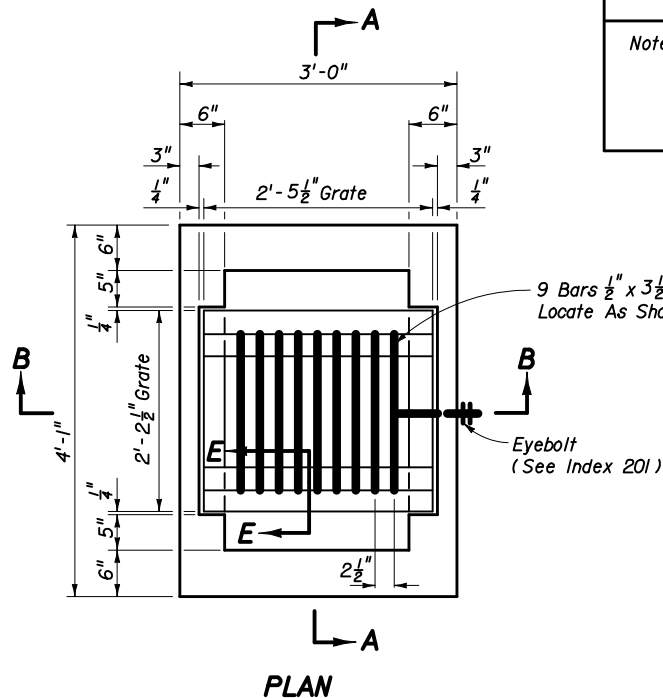
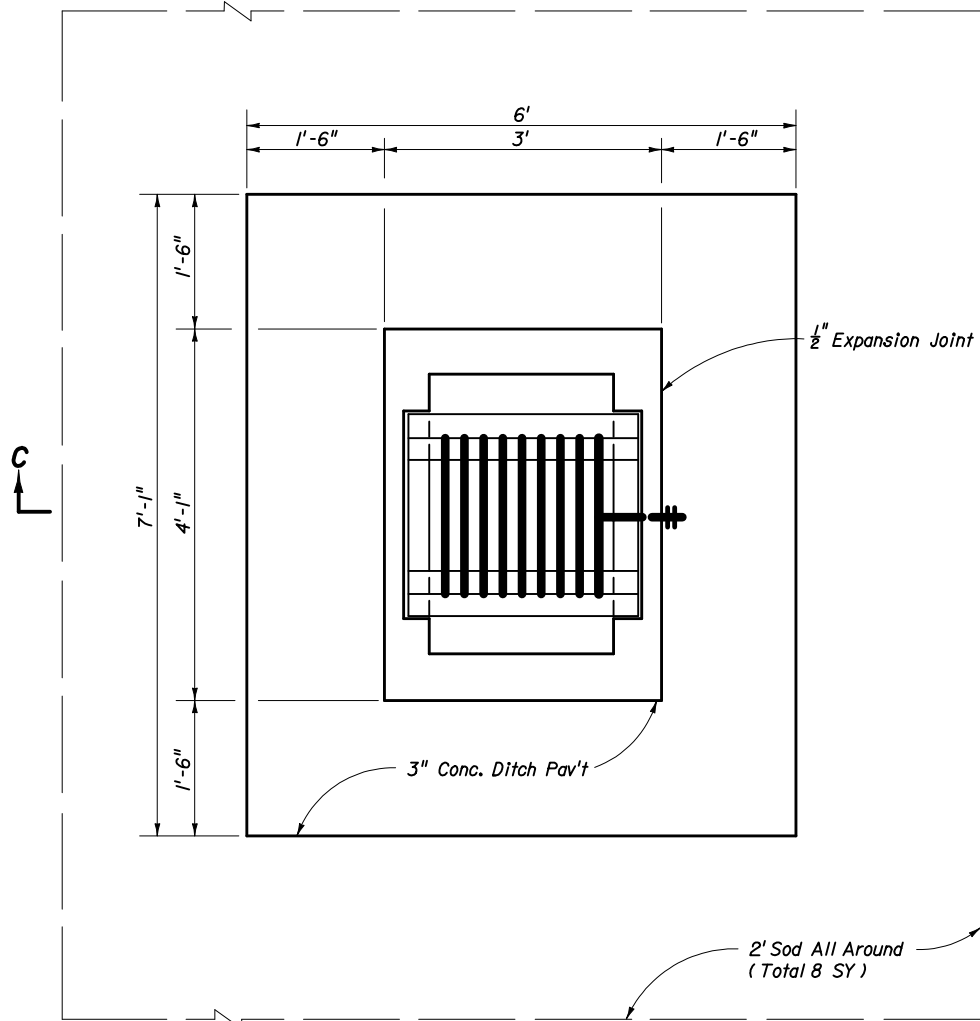


SECTION DD

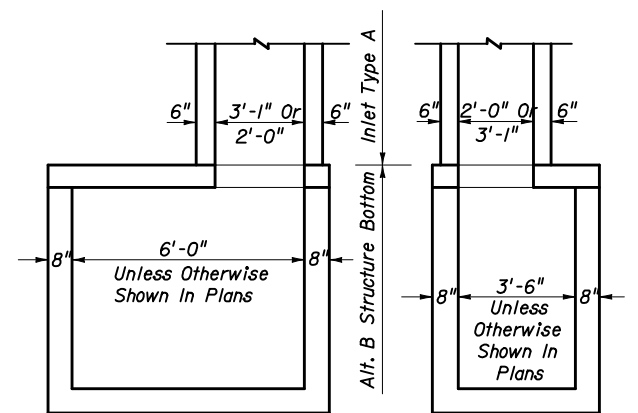
D



PLAN

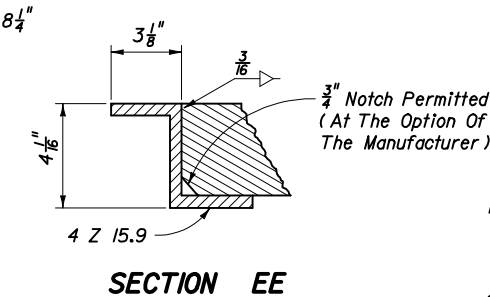
RECOMMENDED MAXIMUM PIPE SIZES	
Inlet Inside Width	Pipe Size
2'-0"	18"
3'-1"	24"
	18" where an 18" pipe enters a 2'-0" wall

Note: Recommended sizes are for concrete pipe. Sizes for other types of pipe must be verified for fit in accordance with Index No. 201. For larger pipe see bottom detail right and Index No. 200.



NOTE: Alt. B Structure Bottom Only. See Index No. 200 for Structure Bottom Details And Hole Reinforcement.

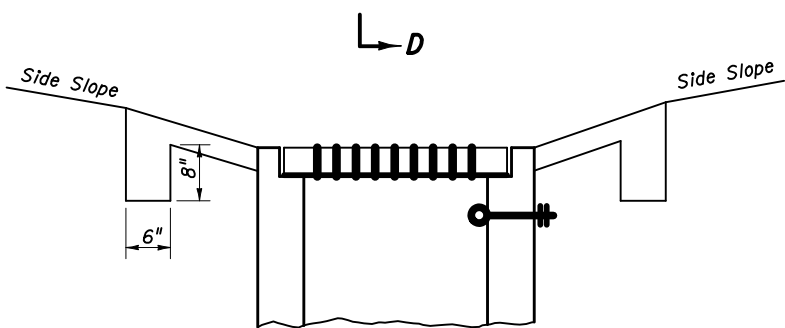
INLET WITH STRUCTURE BOTTOM



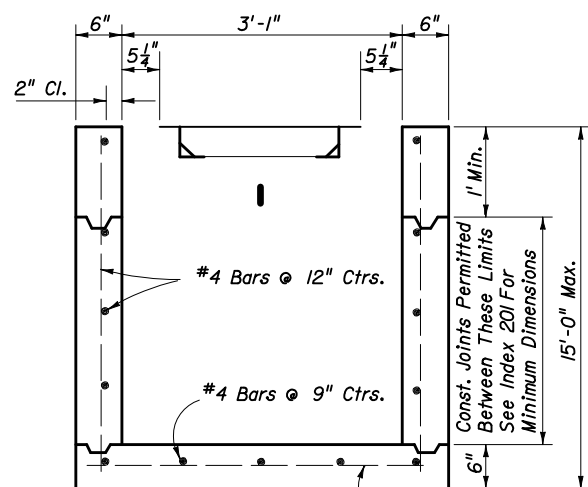
SECTION EE

GENERAL NOTES

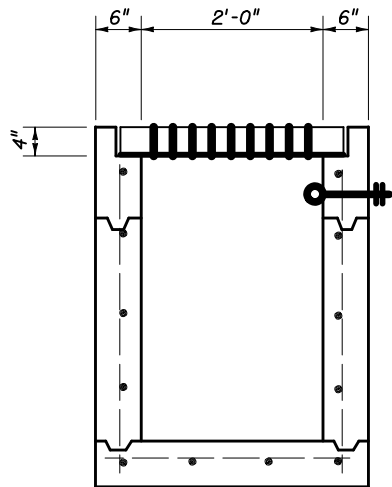
- This inlet is designed for ditches, medians, or other areas subject to heavy wheel loads on limited access facilities where debris may be a problem. NOTICE: This inlet is not for use in areas subject to pedestrian and/or bicycle traffic.
- Reinforcing-2" clearance to inside face. Cut or bend bars out of way of pipe to clear pipe by 1/2".
- Chamfer exposed edges (3/4" Chamfer).
- When alternate "G" grate is specified in plans, the grate is to be hot dipped galvanized after fabrication.
- Cost of ditch paving to be included in the cost of Inlet. Sodding to be paid for under contract unit price for Sodding, SY.
- For supplemental details see Index No. 201.



SECTION CC



SECTION AA



SECTION BB

STATE OF FLORIDA DEPARTMENT OF TRANSPORTATION				
DITCH BOTTOM INLET TYPE A				
Designed By	Names	Dates	Approved By <i>S. A. McHenry</i>	
Drawn By			State Drainage Engineer	
Checked By			Revision 02	Sheet No. 1 of 1
				Index No. 230