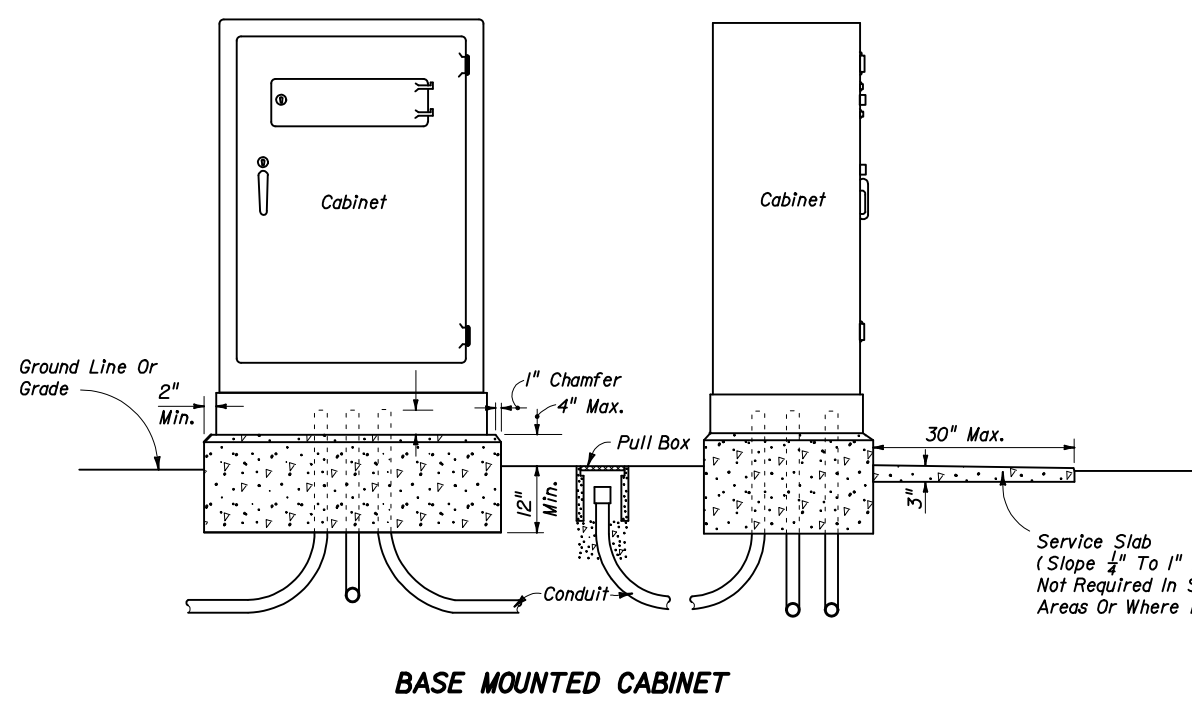
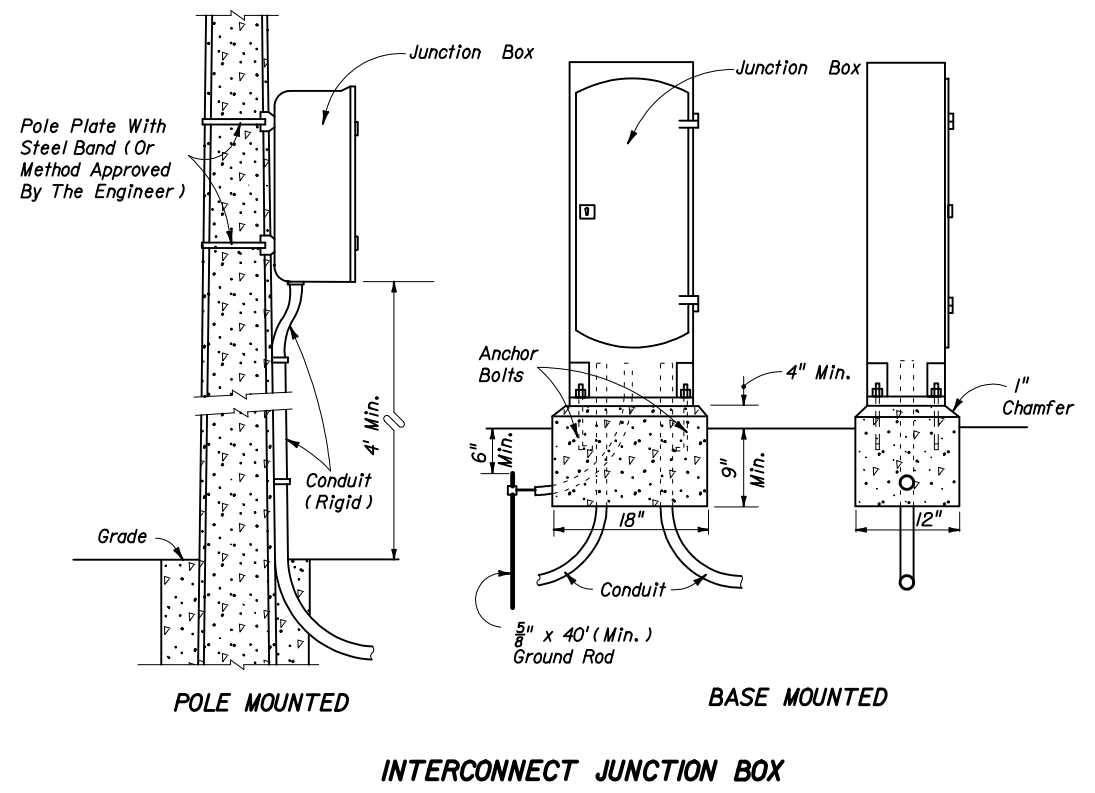


Liquid tight flexible conduit is approved for use from the electrical disconnect to the cabinet when both are installed on the same pole.

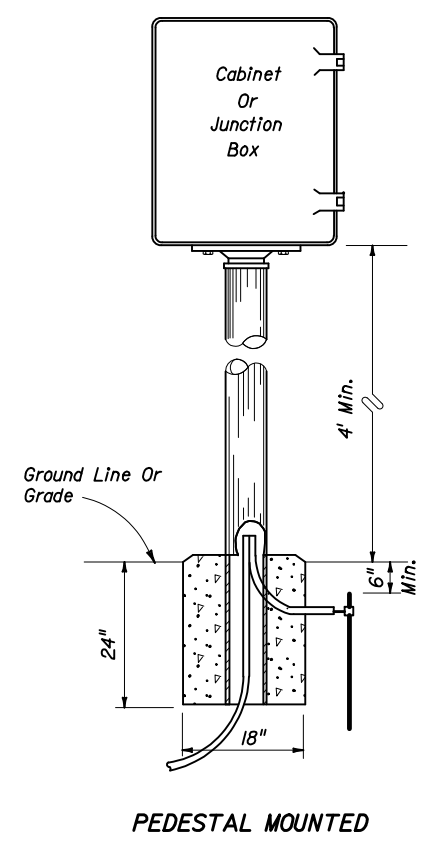
When a pole mounted cabinet is specified the 2 1/2" hole for the cabinet shall be field drilled.

\* If holes for cabinet mounting require relocation, original holes shall be filled in with concrete or covered with a non corrosive cover plate.



- Notes:
- The number, size and orientation of conduit sweep will vary according to site condition or locations. Two spare 2" PVC conduits shall be provided in all bases. The spares shall exit in the direction of the center rear of the cabinet base, into a pull box and capped with a weather tight fitting. If obstructions prevent the spare conduit from exiting to the rear, or the rear of the cabinet is located on the R/W line, a side exit of the spare conduits will have to be approved by the project engineer. All spare conduit sweeps shall be capped with a weather proof fitting.
  - Meet all grounding requirements of Section 620 of the Standard Specifications.

Service Slab (Slope 1/4" To 1" For Drainage) Not Required In Sidewalk Or Pavement Areas Or Where R/W Is Restricted.



STATE OF FLORIDA DEPARTMENT OF TRANSPORTATION				
<b>CABINET INSTALLATION DETAILS</b>				
Designed By	Names	Dates	Approved By <i>Charles A. Scott</i>	
Drawn By			State Traffic Standards Engineer	
Checked By			Revision	Sheet No. Index No.
			02	1 of 1 17841