

FIGURE A
AERIAL FEED
(NO METER USED)

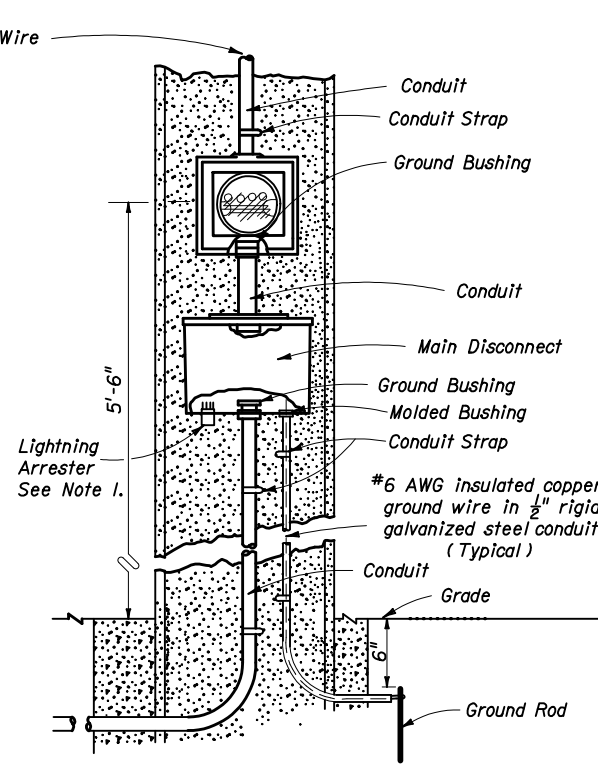


FIGURE B
AERIAL FEED
(METER USED)

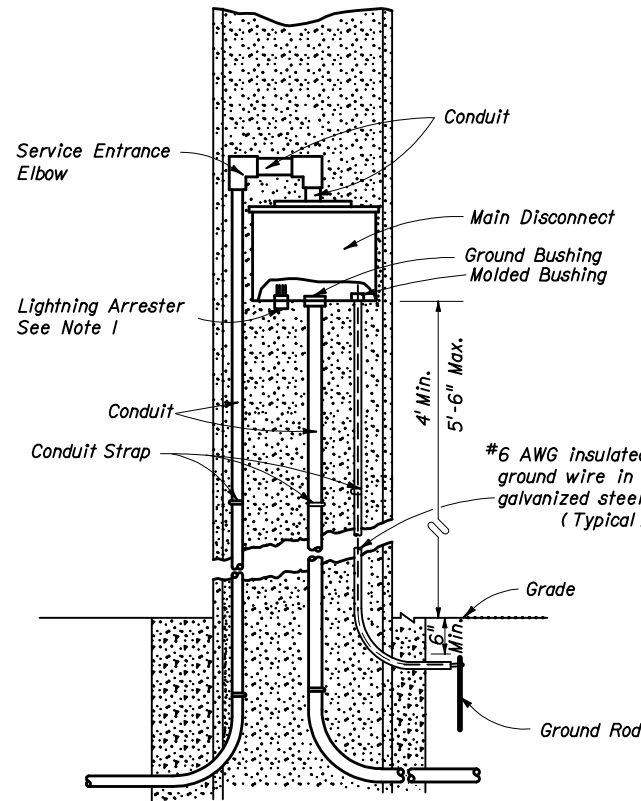


FIGURE C
UNDERGROUND FEED
(NO METER USED)

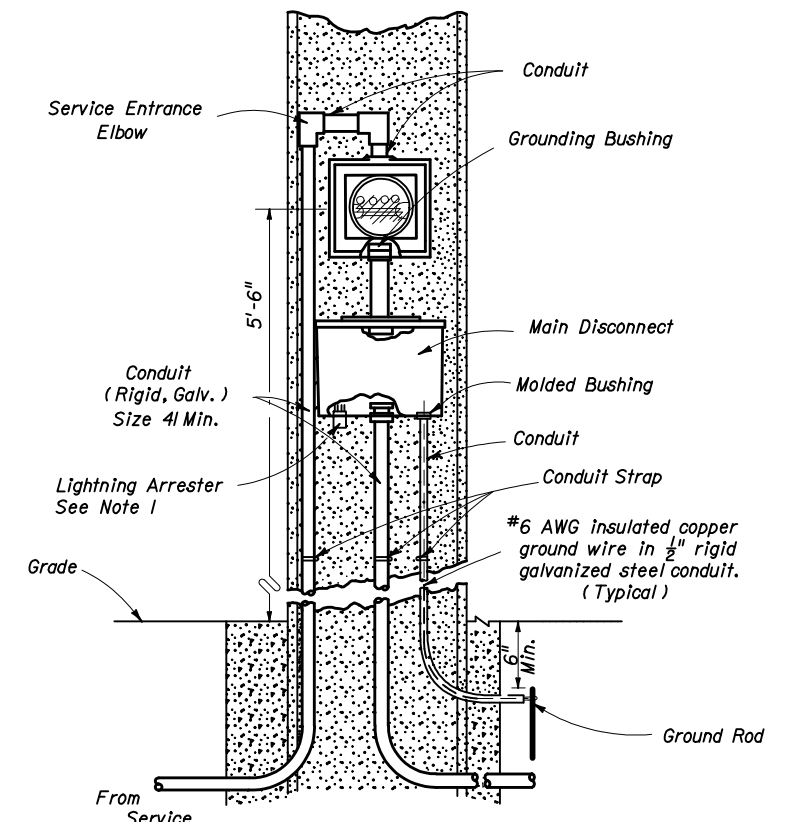


FIGURE D
TYPE "B" UNDERGROUND FEED
(METER USED)

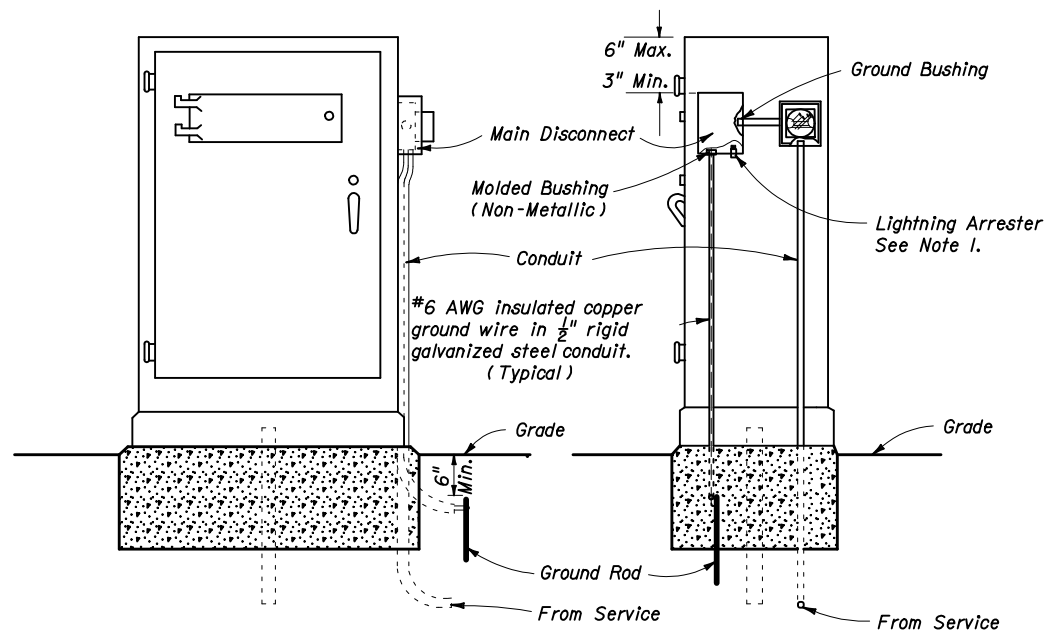


FIGURE E
UNDERGROUND CABINET MOUNTED
(METER USED)

NOTES:

1. The lightning arrester can be located on the side or bottom of the main disconnect enclosure at the Contractor's Option.
2. Liquidtight flexible conduit is approved for use from the electrical disconnect to the cabinet when both are installed on the same pole.
3. Bond all elements together to form an Intersection Grounding Network in accordance with Section 620 of the Department's current Standard Specifications for Road and Bridge Construction. The bond wire shall be run in conduit with the Electrical Service Wire or Signal Cable.
4. Meet all grounding requirements of Section 620 of the Standard Specifications.

STATE OF FLORIDA DEPARTMENT OF TRANSPORTATION

ELECTRIC POWER SERVICE

Names	Dates	Approved By		
Designed By	9-80	Charles Scott State Traffic Standards Engineer		
Drawn By		Revision	Sheet No.	Index No.
Checked By		00	1 of 1	17736