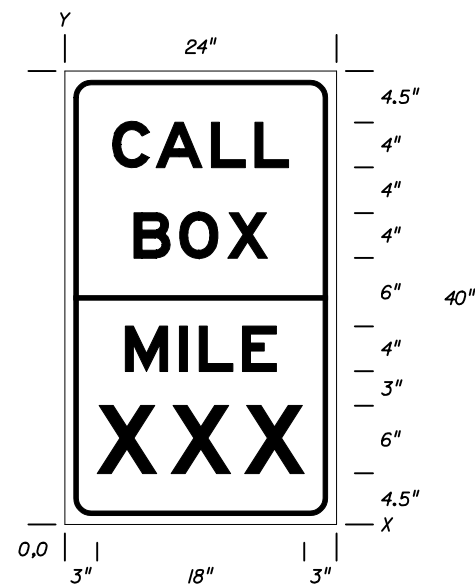
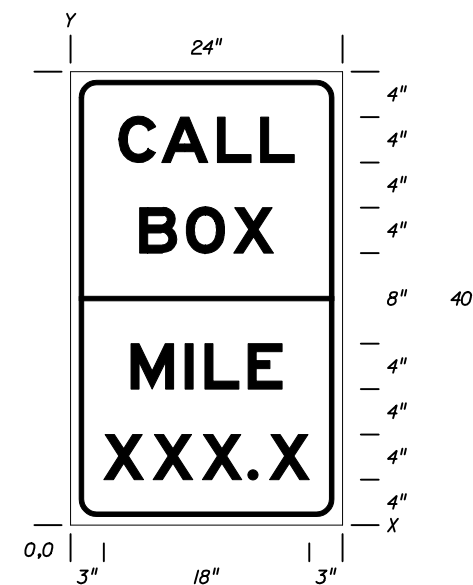


SEE SHEET 2 OF 2 FOR CONCRETE PAD DETAILS.

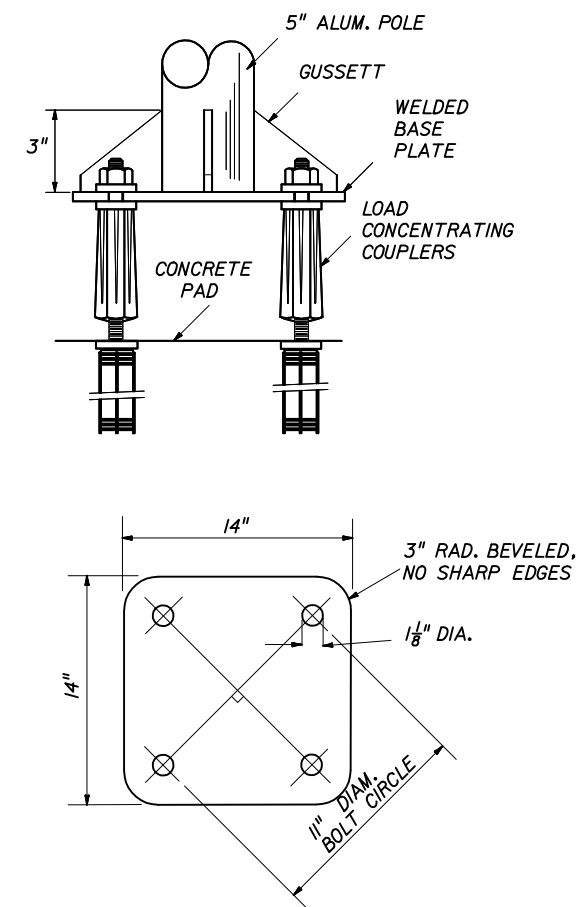
TYPICAL MOTORIST AID CALL BOX TERMINAL



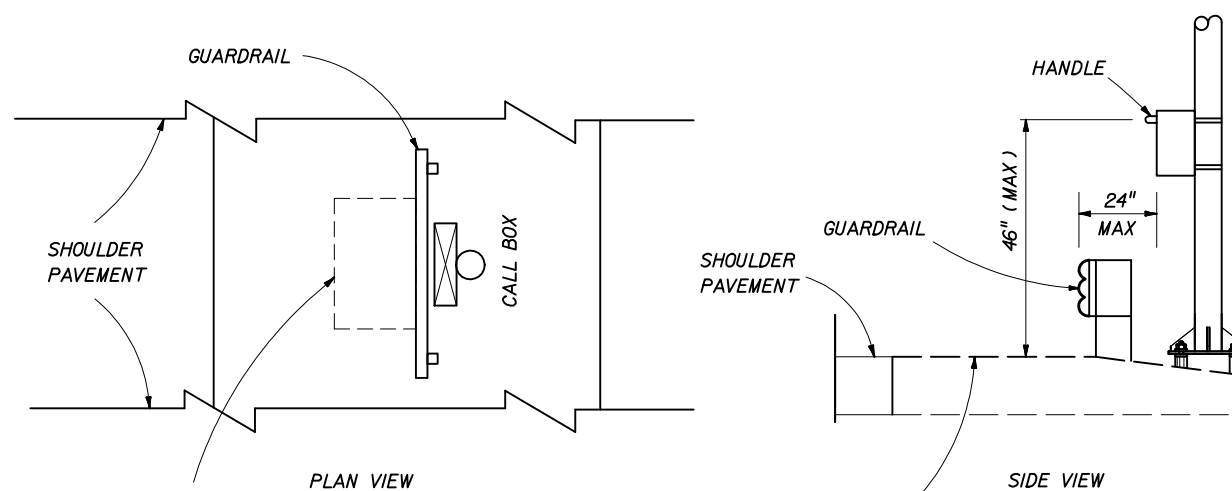
SIGN A



SIGN B



BASE PLATE & BOLT PATTERN



A 30"X 48" MANEUVERING SPACE WITH A 2% MAX SLOPE IN ANY DIRECTION, CENTERED IMMEDIATELY IN FRONT OF THE CALL BOX AND MEASURED FROM THE GRIP POINT OF THE UNIT IS REQUIRED.

NO MORE THAN 2% SLOPE IN ANY DIRECTION

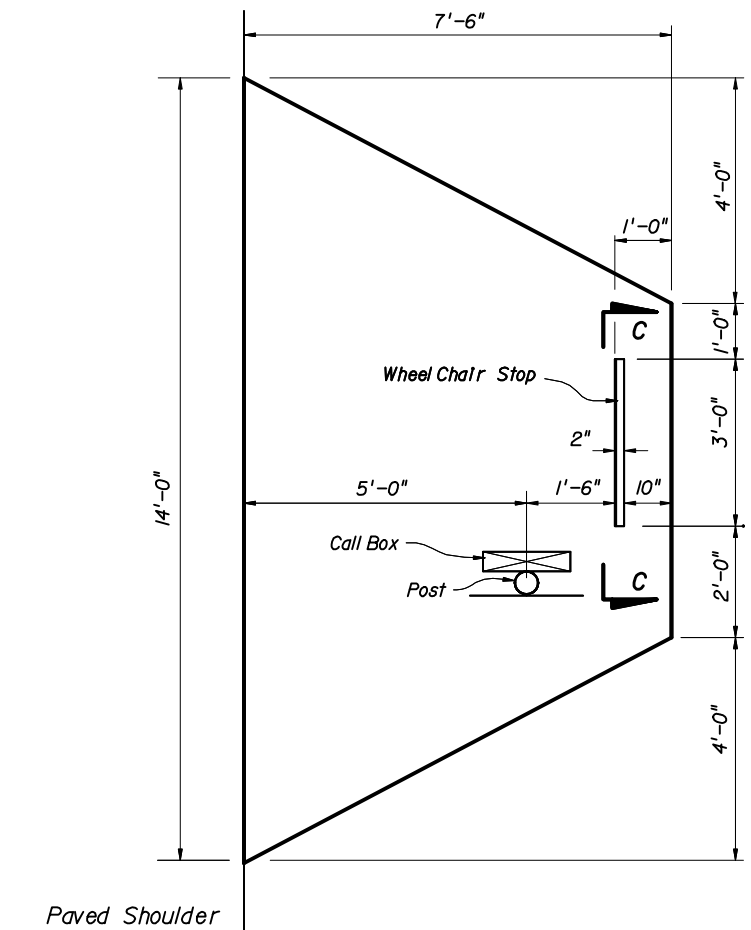
CALL BOX DETAIL BEHIND GUARDRAIL

TERMINALS

STATE OF FLORIDA DEPARTMENT OF TRANSPORTATION

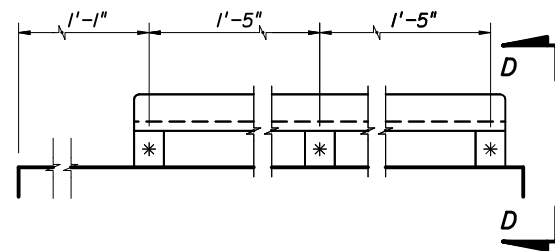
MOTORIST AID CALL BOX

Names	Dates	Approved By		
Designed By	CAS	5-98	C. Clark & Scott State Traffic Standards Engineer	
Drawn By	LW	5-98	Revision	Sheet No.
Checked By	CAS	5-98	02	1 of 2
				Index No. 17600



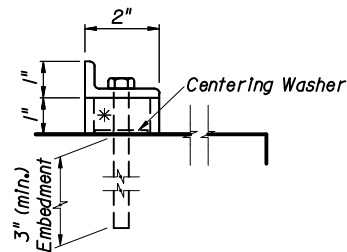
PLAN

Call Box Attachment To Slab
As Per Manufacturer's Recommendation.



SECTION C-C

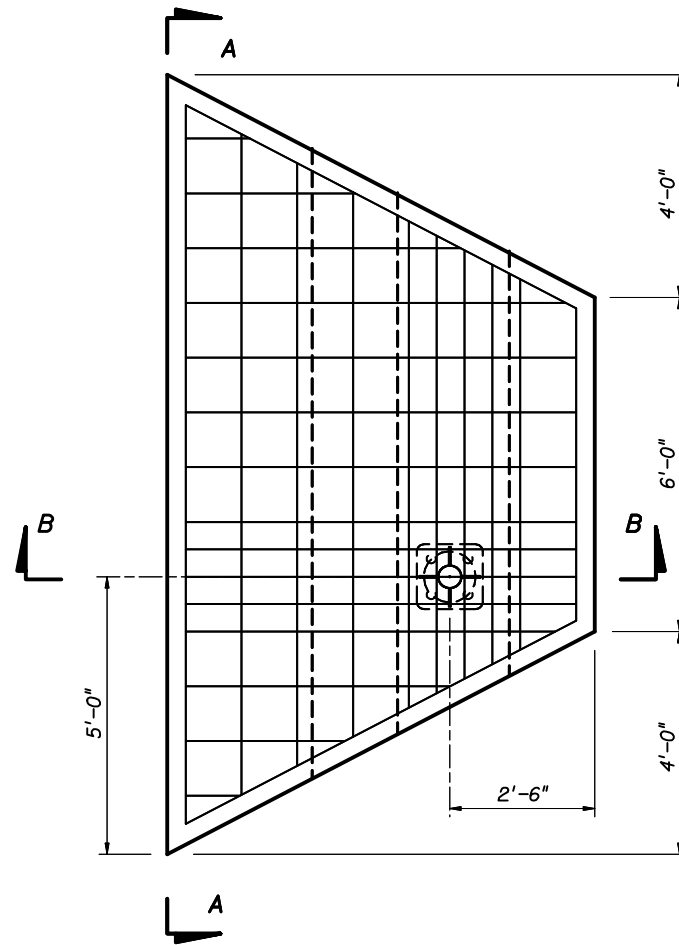
2" x 1" x 1/4" Galv. Angle And
3-3/8" Ø x 5" Galvanized Steel Expansion
Anchor Bolt With 3" Min. Embedment



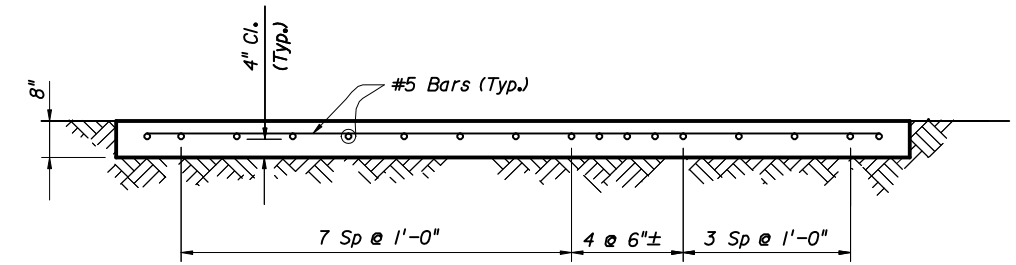
VIEW D-D

* 1/2" Ø x 1" High
Galvanized Steel Pipe Spacer

WHEEL CHAIR STOP DETAIL



SECTION A-A



SECTION A-A

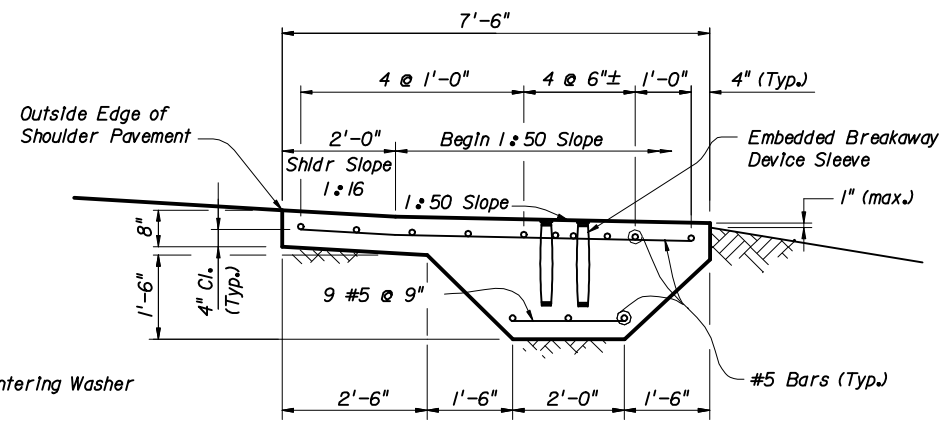
MOTORIST AID CALL BOX CONCRETE PAD QUANTITIES

Concrete : 3.5 c.y. (each)

Reinforcing Steel : 243 lb (each)

GENERAL NOTES

1. General Specifications: FDOT Standard Specifications for Road and Bridge Construction (Current Edition) and Supplements thereto.
2. Design Specifications: AASHTO Standard Specifications For Highway Bridges (Current Edition and approved revisions thereto).
3. Concrete: Concrete strength shall be Class II ($f'c=3,400$ psi).
4. Reinforcing Steel: Reinforcing Steel shall conform to ASTM A615-96a, Grade 60.
5. Payment : Motorist Aid Call Box Concrete Pads shall be paid for under the contract unit price for Class II Concrete (Miscellaneous), c.y. and shall include all labor, materials, and installation of embedded breakaway device sleeves, and miscellaneous galvanized steel for wheel chair stop and attachments.
6. Breakaway Device shall be paid for under Call Box Assembly.



SECTION B-B

CONCRETE PAD

STATE OF FLORIDA DEPARTMENT OF TRANSPORTATION

MOTORIST AID CALL BOX

Names	Dates	Approved By <i>W. J. [Signature]</i>		
Designed By	TJB	4-98	State Structures Design Engineer	
Drawn By	SHW	4-98	Revision	Sheet No.
Checked By	TJB	4-98	00	2 of 2
			Index No.	17600