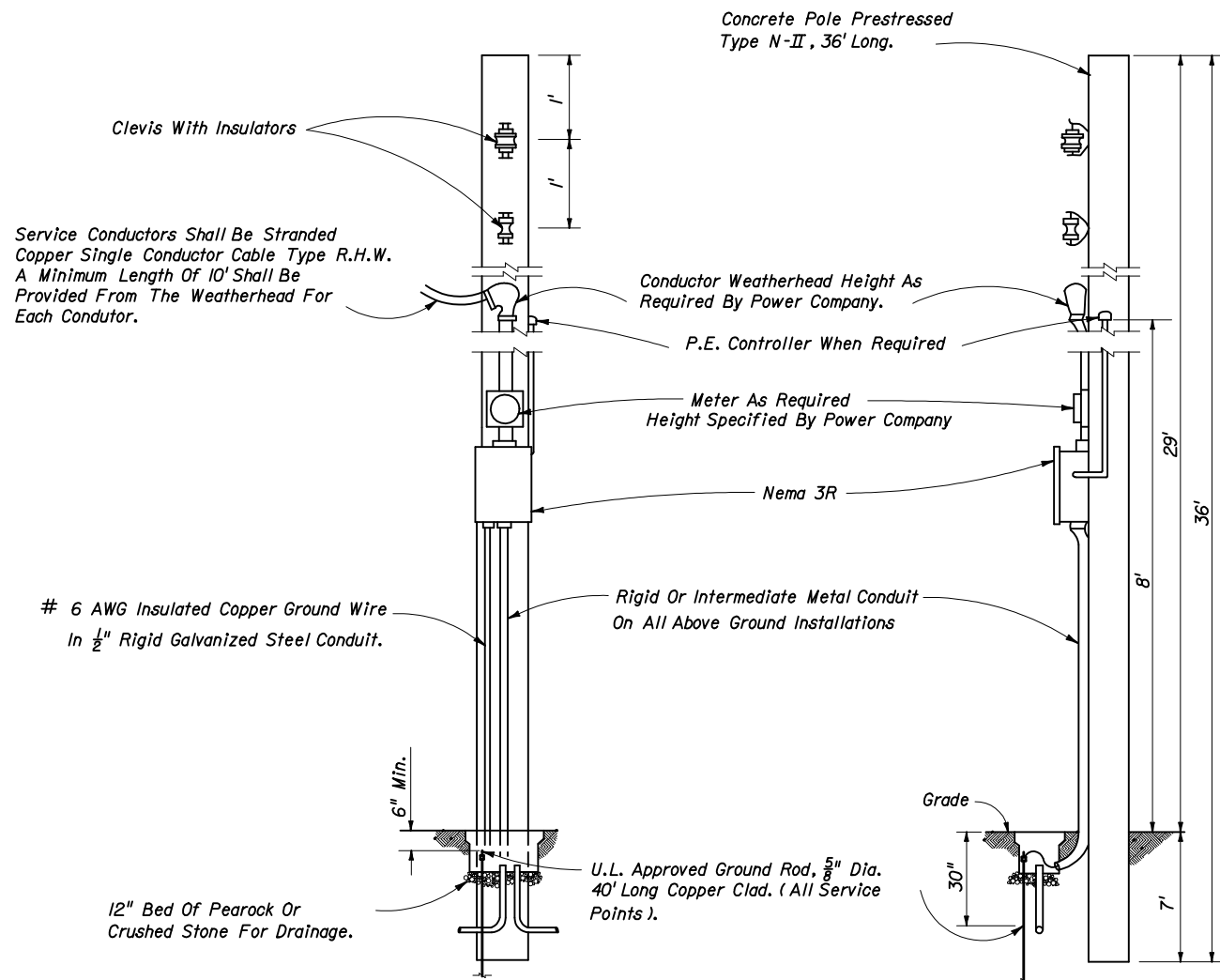


NOTE :
 It shall be the contractors responsibility to provide a complete service assembly as per the plans and service specifications. The service installation shall meet the requirements of the national electric code and applicable local codes. Shop drawings are not required for service equipment, unless noted in the plans.



DETAIL A
AERIAL FEED

Notes:

1. Photo electric control as required.
2. All neutral wires to have white insulation, do not use white or green insulated wires for ungrounded conductors.
3. A pull box is required at each service point.

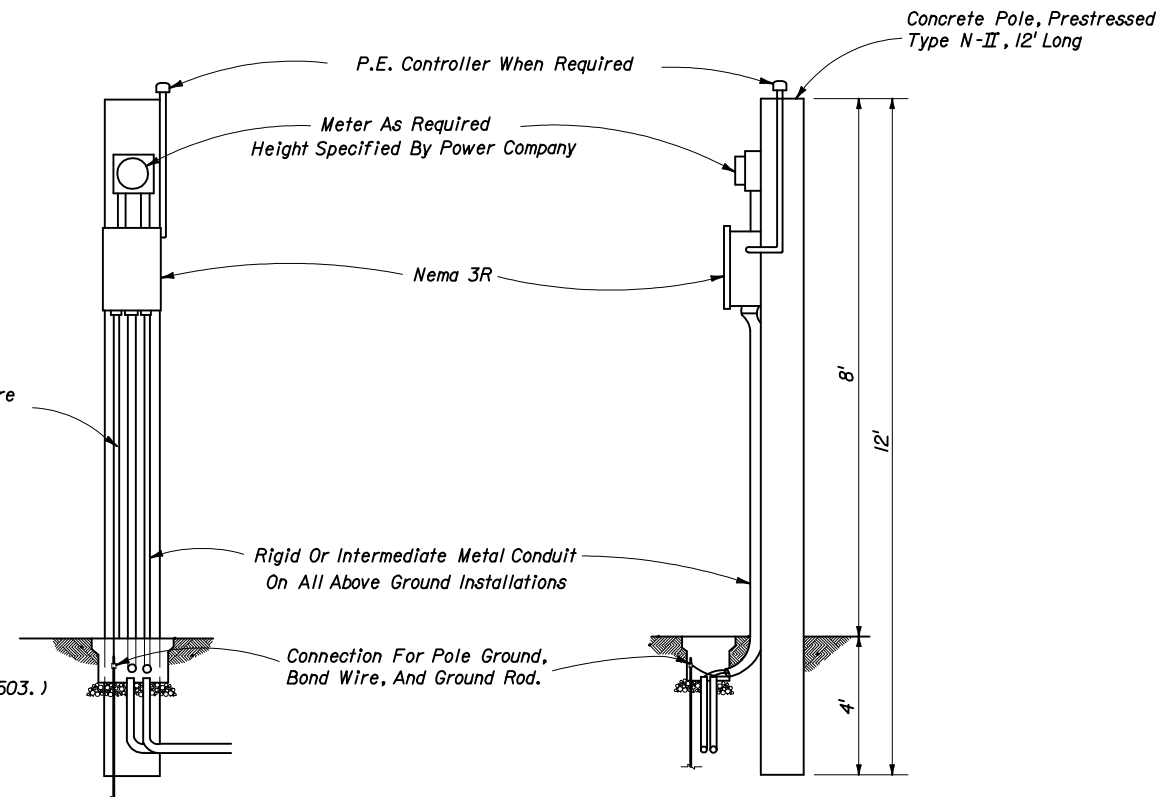
SERVICE SPECIFICATIONS

1. The enclosure shall be NEMA 3R, pole mounted, rain-tight.
2. The enclosure door shall be lockable by padlock and four keys provided to the maintaining agency. The door shall have a minimum of three hinges and be latchable. No screws to be used to attach door.
3. 480 V minimum rating bolt-in type breakers shall be used.
4. Busbar to be copper coated and have a minimum rating of 100 amps. When main breaker exceeds 100 amps busbar to match breaker amperage.
5. Locate contactor, transformer, and H.O.A. switch inside enclosure. The enclosure to be sized to accommodate as many breakers as called for and all other service equipment.
6. The Enclosure to be rigidly attached to the pole face.
7. A 600 V lightning protector shall be wired inside the enclosure.
8. A main breaker is required in all service panels with 2 or more feeder breakers.
9. All service equipment shall be U.L. approved.

6 AWG Insulated Copper Ground Wire
 In 1/2" Rigid Galvanized Steel Conduit.


Pull Box
 (See Detail Index 17503.)

DETAIL B
UNDERGROUND FEED



STATE OF FLORIDA DEPARTMENT OF TRANSPORTATION

SERVICE POINT DETAILS

Names	Dates	Approved By		
Designed By	8-78	 State Traffic Standards Engineer		
Drawn By				
Checked By		02	1 of 1	17504