

| COL. SIZE | 2x $\frac{1}{2}$ | 2x $\frac{3}{4}$ | 2x1 | 2 $\frac{1}{2}$ x $\frac{1}{2}$ | 2 $\frac{1}{2}$ x $\frac{3}{4}$ | 2 $\frac{1}{2}$ x1 | 3x $\frac{1}{2}$ | 3x $\frac{3}{4}$ | 3x1 | * | COL. SIZE | 2x $\frac{1}{2}$ | 2x $\frac{3}{4}$ | 2x1 | 2 $\frac{1}{2}$ x $\frac{1}{2}$ | 2 $\frac{1}{2}$ x $\frac{3}{4}$ | 2 $\frac{1}{2}$ x1 | 3x $\frac{1}{2}$ | 3x $\frac{3}{4}$ | 3x1 | * | ALUMINUM ROUND POST |
|----------------------------|-------------------|-------------------|-------------------|---------------------------------|---------------------------------|--------------------|-------------------|-------------------|--------|--------|----------------------------|-------------------|-------------------|-------------------|---------------------------------|---------------------------------|--------------------|-------------------|-------------------|--------|--------|-------------------------------|
| FOUNDATION | 0x2-0 | 0x2-0 | 0x2-0 | 0x2-3 | 0x2-3 | 0x2-3 | 0x2-6 | 0x2-6 | 0x2-6 | * | FOUNDATION | 0x2-0 | 0x2-0 | 0x2-0 | 0x2-3 | 0x2-3 | 0x2-3 | 0x2-6 | 0x2-6 | 0x2-6 | * | STEEL FLANGED CHANNEL POST |
| COL. SIZE | 2.5 #/FT | 2.5 #/FT | 3.0 #/FT | 4.0 #/FT | 4.0 #/FT | N/A | N/A | N/A | N/A | * | COL. SIZE | 2.5 #/FT | 2.5 #/FT | 3.0 #/FT | 4.0 #/FT | 4.0 #/FT | N/A | N/A | N/A | N/A | * | STEEL SQUARE TUBE POST |
| FOUNDATION | 0x3-0 | 0x3-0 | 0x3-0 | 0x3-0 | 0x3-0 | N/A | N/A | N/A | N/A | * | FOUNDATION | 0x3-0 | 0x3-0 | 0x3-0 | 0x3-0 | 0x3-0 | N/A | N/A | N/A | N/A | * | |
| COL. SIZE | W=1 $\frac{1}{2}$ | W=1 $\frac{3}{4}$ | W=1 $\frac{3}{4}$ | W=2 | W=2 $\frac{1}{4}$ | W=2 $\frac{1}{4}$ | W=2 $\frac{1}{4}$ | W=2 $\frac{1}{2}$ | N/A | * | COL. SIZE | W=1 $\frac{1}{2}$ | W=1 $\frac{3}{4}$ | W=1 $\frac{3}{4}$ | W=2 | W=2 $\frac{1}{4}$ | W=2 $\frac{1}{4}$ | W=2 $\frac{1}{4}$ | W=2 $\frac{1}{2}$ | N/A | * | |
| FOUNDATION | 0x3-0 | 0x3-0 | 0x3-0 | 0x3-0 | 0x3-0 | 0x3-0 | 0x3-0 | 0x3-0 | N/A | * | FOUNDATION | 0x3-0 | 0x3-0 | 0x3-0 | 0x3-0 | 0x3-0 | 0x3-0 | 0x3-0 | 0x3-0 | N/A | * | |
| Sign Identification Number | HEIGHT (FT) | | | | | | | | | | Sign Identification Number | HEIGHT (FT) | | | | | | | | | | |
| | (+) to | (+) to | (+) to | (+) to | (+) to | (+) to | (+) to | (+) to | (+) to | (+) to | (+) to | (+) to | (+) to | (+) to | (+) to | (+) to | (+) to | (+) to | (+) to | (+) to | (+) to | (+) to |
| 1 | To 8 | 8 - 10 | 10 - 13 | 13 - 14 | | | | | | | 47 | To 6 | 6 - 7 | 7 - 9 | 9 - 11 | 11 - 12 | 12 - 13 | 13 - 14 | | | | |
| 2 | To 6 | 6 - 7 | 7 - 8 | 8 - 12 | 12 - 13 | 13 - 14 | | | | | 48 | To 7 | 7 - 8 | 8 - 11 | 11 - 12 | 12 - 13 | 13 - 14 | | | | | |
| 3 | To 6 | 6 - 7 | 7 - 9 | 9 - 11 | 11 - 12 | 12 - 13 | | | | | 49 | To 6 | 6 - 7 | 7 - 10 | 10 - 11 | 11 - 12 | 12 - 14 | | | | | |
| 4 | | | | | | | | | | | 50 | | | | | | | | | | | |
| 5 | | | | | | | | | | | 51 | To 6 | 6 - 7 | 7 - 9 | 9 - 11 | 11 - 12 | 12 - 14 | | | | | |
| 6 | | | | | To 6 | 6 - 8 | 8 - 9 | | | | 52 | To 6 | 6 - 9 | 9 - 10 | 10 - 12 | 12 - 13 | | | | | | |
| 7 | | | | | | | | | | | 53 | To 6 | 6 - 8 | 8 - 10 | 10 - 11 | 11 - 13 | | | | | | |
| 8 | To 8 | 8 - 9 | 9 - 10 | 10 - 13 | 13 - 14 | | | | | | 54 | To 8 | 8 - 9 | 9 - 11 | 11 - 12 | | | | | | | |
| 9 | To 7 | 7 - 8 | 8 - 11 | 11 - 12 | 12 - 13 | 13 - 14 | | | | | 55 | To 8 | 8 - 9 | 9 - 10 | 10 - 12 | | | | | | | |
| 10 | | | | To 8 | 8 - 9 | 9 - 10 | 10 - 12 | | | | 56 | | | | | | | | | | | |
| 11 | | | | | To 6 | 6 - 7 | 7 - 9 | | | | 57 | | | To 7 | 7 - 9 | 9 - 10 | | | | | | |
| 12 | | | | | | | | | | | 58 | | | To 6 | 6 - 7 | 7 - 9 | 9 - 11 | | | | | |
| 13 | | | | | To 8 | 8 - 9 | 9 - 11 | 11 - 12 | | | 59 | | | To 6 | 6 - 7 | 7 - 9 | 9 - 10 | | | | | |
| 14 | | | | To 6 | 6 - 7 | 7 - 8 | 8 - 10 | 10 - 11 | | | 60 | | | To 6 | 6 - 7 | 7 - 8 | 8 - 10 | | | | | |
| 15 | | | | To 6 | 6 - 7 | 7 - 8 | 8 - 10 | | | | 61 | | | To 6 | 6 - 8 | | | | | | | |
| 16 | | | | | To 6 | 6 - 7 | 7 - 9 | | | | 62 | | | | To 6 | 6 - 7 | 7 - 8 | | | | | |
| 17 | | | | | | | | | | | 63 | | | | To 6 | 6 - 7 | 7 - 9 | | | | | |
| 18 | | | | | | | | | | | 64 | | | | | | | | | | | |
| 19 | | | | | | | | | | | 65 | | | | | To 6 | 6 - 8 | | | | | |
| 20 | | | | | | | | | | | 66 | | | | | | | | | | | |
| 21 | | | | | | | To 6 | | | | 67 | | | | | | To 6 | 6 - 7 | | | | |
| 22 | | | | | | | | | | | 68 | | | | | | | | | To 7 | | |
| 23 | | | | | | | | | | | 69 | | | | | | | | | To 7 | | |
| 24 | | | | | | | | | | | 70 | | | | | | | | | To 6 | | |
| 25 | | | | To 6 | 6 - 7 | 7 - 9 | 9 - 11 | | | | 71 | | | | | | | | | | | |
| 26 | | | | To 6 | 6 - 8 | 8 - 9 | | | | | 72 | | | | | | | | | | | |
| 27 | | | | | To 6 | 6 - 7 | 7 - 9 | | | | 73 | | | | | | | | | To 6 | | |
| 28 | | | | | To 6 | 6 - 7 | 7 - 9 | | | | 74 | | | | | | | | | | | |
| 29 | | | | | | To 7 | 7 - 8 | | | | 75 | | | | | | | | | | | |
| 30 | | | | | | To 6 | 6 - 8 | | | | 76 | | | | | | | | | | | |
| 31 | | | | | | | To 6 | | | | 77 | | | | | | | | | | | |
| 32 | | | | | | | To 6 | | | | 78 | | | | | | | | | | | |
| 33 | | | | | | | To 6 | 6 - 7 | | | 79 | | | | | | | | | | | |
| 34 | | | | | | | | To 6 | | | 80 | | | | | | | | | | | |
| 35 | | | | | | | | To 7 | | | 81 | | | | | | | | | | | |
| 36 | | | | | | | | To 6 | | | 82 | | | | | | | | | | | |
| 37 | | | | | | | | | | | 83 | | | | | | | | | | | |
| 38 | | | | | | | | | | | 84 | | | | | | | | | | | |
| 39 | | | | | | | | | | | 85 | | | | | | | | | | | |
| 40 | | | | | | | | | | | 86 | | | | | | | | | | | |
| 41 | | | | | | | | | | | 87 | | | | | | | | | | | |
| 42 | | | | | | | | | | | 88 | | | | | | | | | | | |
| 43 | | | | | | | | | | | 89 | | | | | | | | | | | |
| 44 | To 9 | 9 - 10 | 10 - 13 | 13 - 14 | | | | | | | 90 | | | | | | | | | | | |
| 45 | To 6 | 6 - 7 | 7 - 9 | 9 - 11 | 11 - 12 | 12 - 13 | 13 - 14 | | | | 91 | | | | | | | | | | | |
| 46 | To 6 | 6 - 7 | 7 - 9 | 9 - 11 | 11 - 12 | 12 - 13 | 13 - 14 | | | | | | | | | | | | | | | |

* Aluminum Round Post dimensions are given in inches. The size is shown as outside diameter times wall thickness.

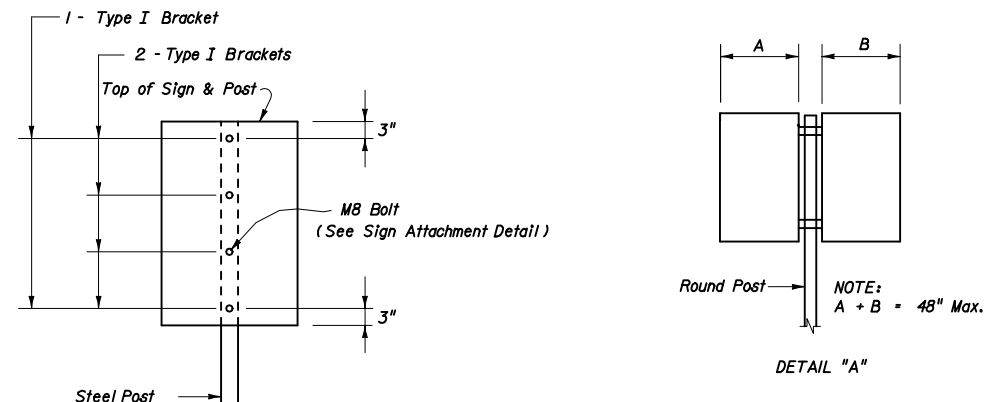
Steel Flanged Channel Post sizes are given in lb/ft. Section definitions and properties are shown on Sheet 2 of 2, (See QPL for approved posts).

Steel Square Tube Post dimensions for "W" are given in inches. The "W" dimension is defined on Section F-F, (See QPL for approved posts).

Foundation dimensions shown are given in feet & inches. The dimension shown is the minimum embedment of the driven post.

NOTES

- This Standard Index 11865 provides designs for driven single post sign installations for implementation at all locations within the State of Florida. The designs adhere to the following criteria:
 - Mounting Height = 14' Maximum
 - Sign(s) Area = 25 sq. ft. Maximum
 - Sign(s) Width: Single = 36" Maximum
Dual = 48" Maximum (See Detail "A")
 - Driven Post only
- Designs exceeding above criteria or requiring concrete footings are included on Index 11861 thru 11864.
- Specifications for Aluminum materials, Sign Panel Details, etc. are shown on standard Index 11860. Additional information and details are shown on Index 11861 thru 11864. Therefore, work this Standard Index 11865 with Standard Indices 11860 to 11864.
- Sign Bracket requirements are shown on Index 11860 (80 mph WIND ZONE). If Flanged Channels or Square Tubes are used, substitute two 5/16" bolts for each Type I Bracket. See Detail "B".
- All posts shall be installed Plumb.
- Steel for Flanged Channel Posts shall conform with ASTM A499 Grade 60, or ASTM A576 Grade 1080.
- Steel for fabrication of square Tubes shall conform with ASTM A653 or ASTM A570. HOWEVER, STEEL FROM THE FABRICATED SQUARE TUBES MUST MEET A CERTIFIED MINIMUM YIELD STRENGTH OF 55 ksi.
- Steel Flanged Channel Posts with a 4 lb/ft are non-frangible and shall be installed with approved breakaway (frangible) bases. See Detail "C". The base and the sign posts shall be same size and type and the splice shall be 6" long and fastened with two bolts, 4" apart. The bolts shall be wrench-tightened sufficiently to clamp splice assembly tightly together. Bolts shall conform with ASTM A 354 Grade DH or SAE J995 Grade 8. Washers and spacers shall conform with ASTM A307 or A36.
- Steel Flanged Channel Posts with masses of 2.5 lb/ft and 3 lb/ft, all Aluminum Round Posts and all Steel Square Tubes included in this standard are frangible and do not require breakaway (frangible) bases. However, the contractor may mount frangible posts on approved breakaway bases.
- Bolts, Nuts and washers not included in note 8 above, shall conform with ASTM A307.
- Steel Posts shall be selected from the Department's book of Qualified Product List (QPL).
- All steel posts, and hardware shall be galvanized in accordance with ASTM A123 or A153, or AASHTO M181 Grade 2.
- Shop Drawings: If the contractor proposes to utilize sign panel connections and/or breakaway devices not shown in this standard or in the above referenced standards, the Contractor shall submit shop drawings for approval.
- All dimensions are in inches, unless otherwise noted.



COLUMN SIZE, COLUMN HEIGHT & COLUMN FOOTINGS

STATE OF FLORIDA DEPARTMENT OF TRANSPORTATION

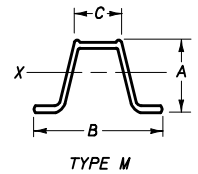
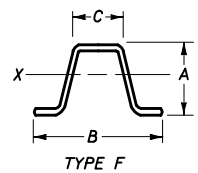
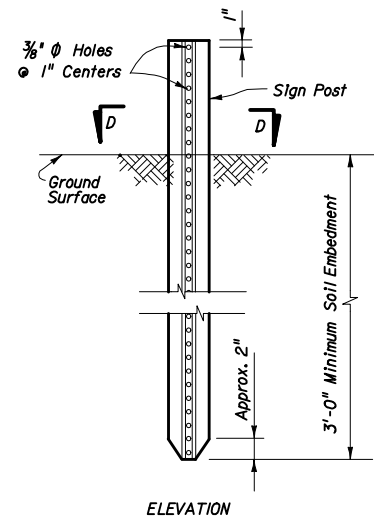
SINGLE COLUMN GROUND SIGNS

| | | | | | |
|-------------|-----|------|-------------|-----------|--------------------|
| Designed By | JMD | 4-94 | Approved By | | <i>[Signature]</i> |
| Drawn By | SHM | 4-94 | Revision | Sheet No. | Index No. |
| Checked By | AJG | 4-94 | 02 | 1 of 2 | 11865 |

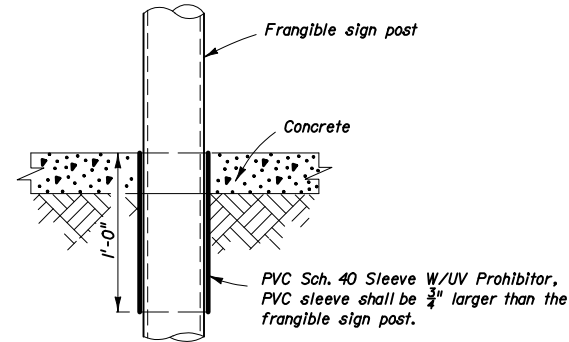
HEIGHT = 14' MAX. (ALL WIND ZONES)

| APPROVED STEEL FLANGED CHANNEL POSTS | | | | | |
|--------------------------------------|------|--------|--------|--------|-----------------------|
| lb/ft* | Type | A (in) | B (in) | C (in) | Sx (in ³) |
| 2.50 | F | 1.562 | 3.125 | 1.250 | .310 |
| 2.50 | M | 1.500 | 3.063 | 1.281 | .313 |
| 3.00 | F | 1.750 | 3.500 | 1.625 | .430 |
| 3.00 | M | 1.875 | 3.500 | 1.313 | .447 |
| 4.00 | F | 1.750 | 3.500 | 1.671 | .560 |
| 4.00 | M | 1.938 | 3.500 | 1.313 | .625 |

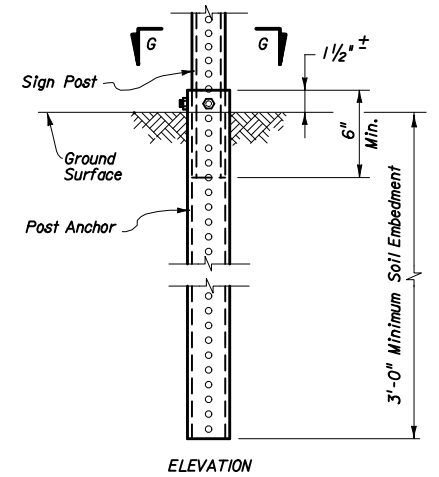
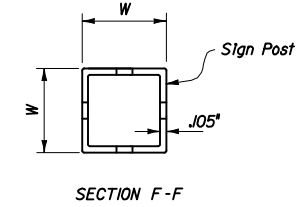
* ± 4 %



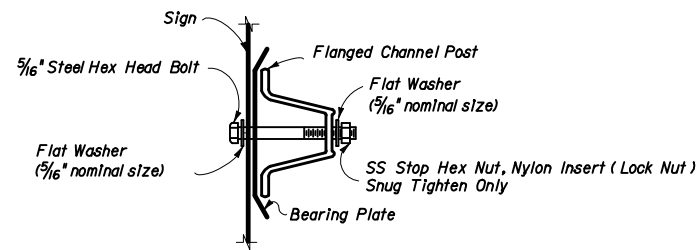
SECTION D-D



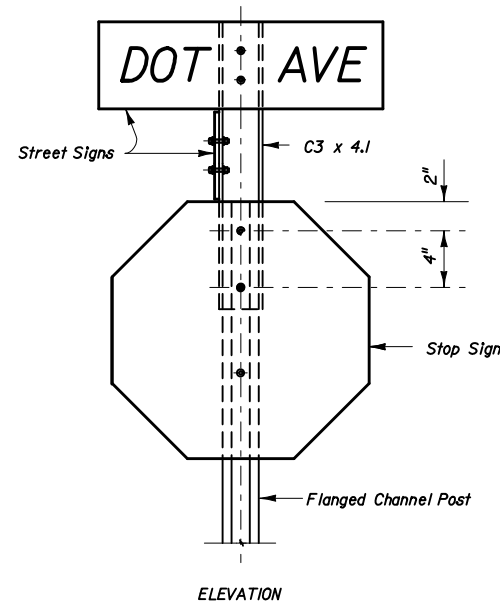
SIGN POST IN CONCRETE
(CROSSOVERS, MEDIANS, & SIDEWALKS)



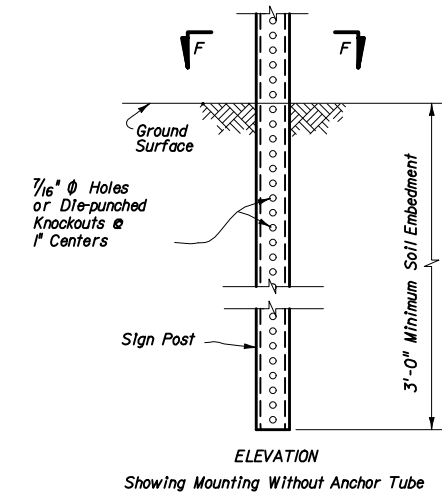
Showing Mounting Using Optional Anchor Tube



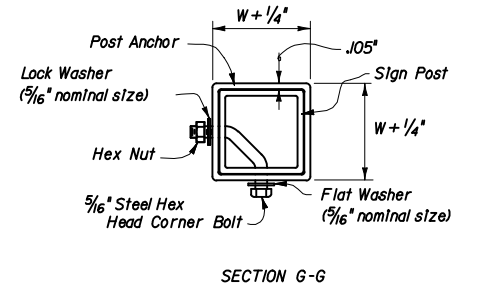
SIGN ATTACHMENT DETAIL



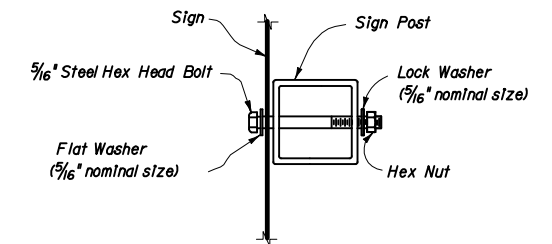
ELEVATION



ELEVATION
Showing Mounting Without Anchor Tube

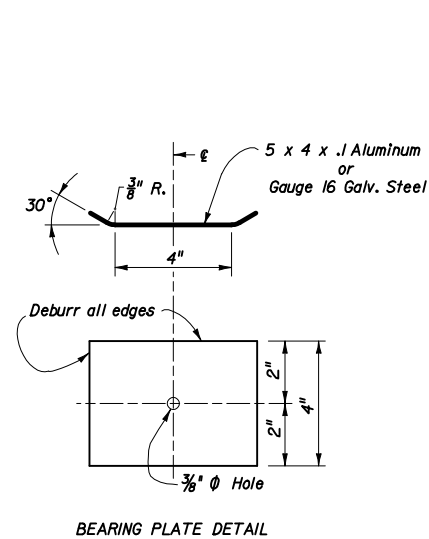


SECTION G-G

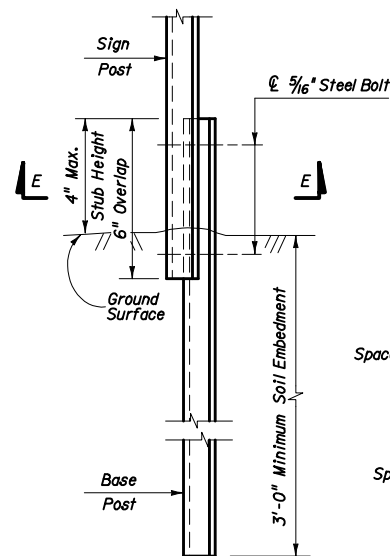


SIGN ATTACHMENT DETAIL

STEEL SQUARE TUBE POST DETAILS

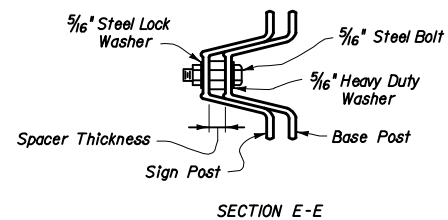


BEARING PLATE DETAIL



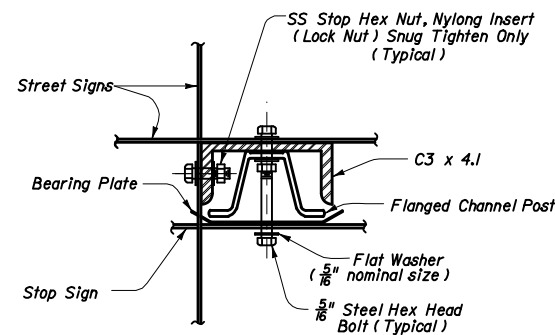
DETAIL "C"
(Approved Frangible Installation)

STEEL FLANGED CHANNEL POST DETAILS



SECTION E-E

Spacer Thickness shall be as follows:
2.5 lb/ft Type M posts shall use 5/16" spacer.
Other posts shall use 5/8" spacer (or two 5/16").



TOP VIEW

SIGN ATTACHMENT DETAIL

NOTE: All dimensions are in inches, unless otherwise noted.

HEIGHT = 14' MAX.
(ALL WIND ZONES)

COLUMN SIZE, COLUMN HEIGHT & COLUMN FOOTINGS

STATE OF FLORIDA DEPARTMENT OF TRANSPORTATION

SINGLE COLUMN GROUND SIGNS

| Names | Dates | Approved By | | |
|-------------|--------------|--------------------------------------|-------|--|
| Designed By | JMD/TJB 6/99 | State Structures Design Engineer | | |
| Drawn By | JP 6/99 | | | |
| Checked By | TJB 6/99 | | | |
| Revision | 02 | | | |
| | | 2 of 2 | 11865 | |