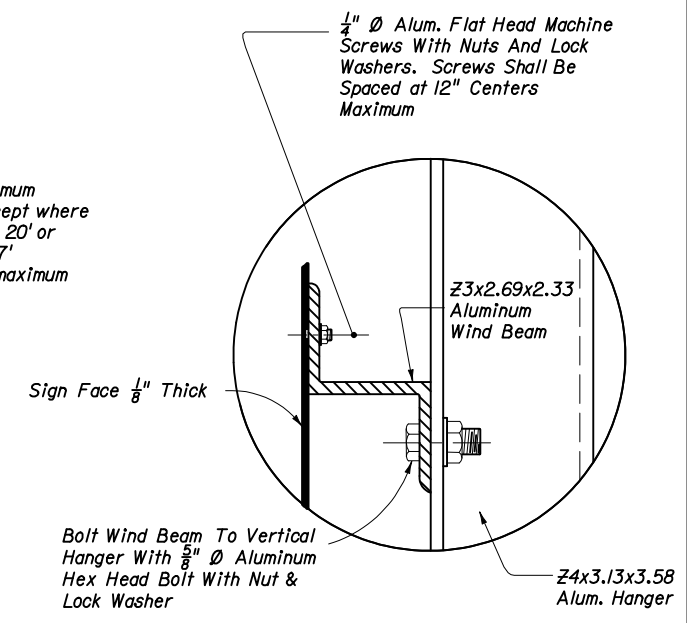
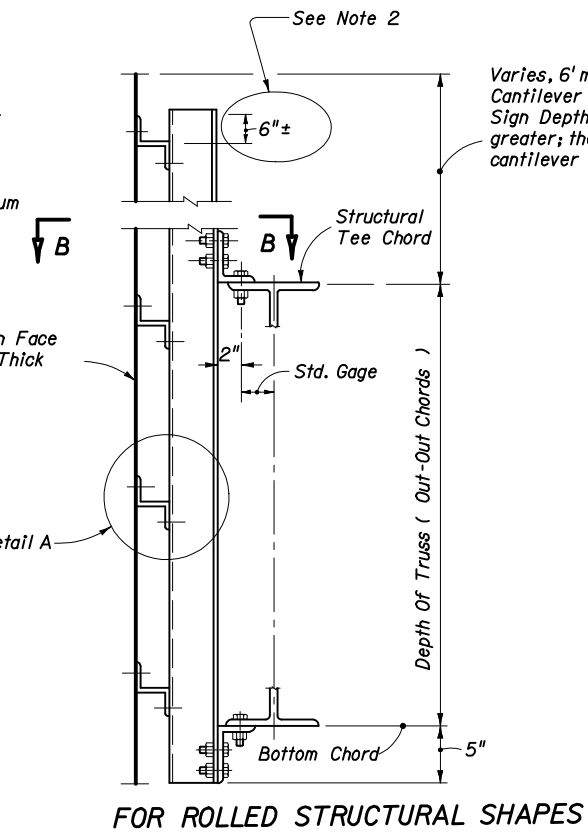
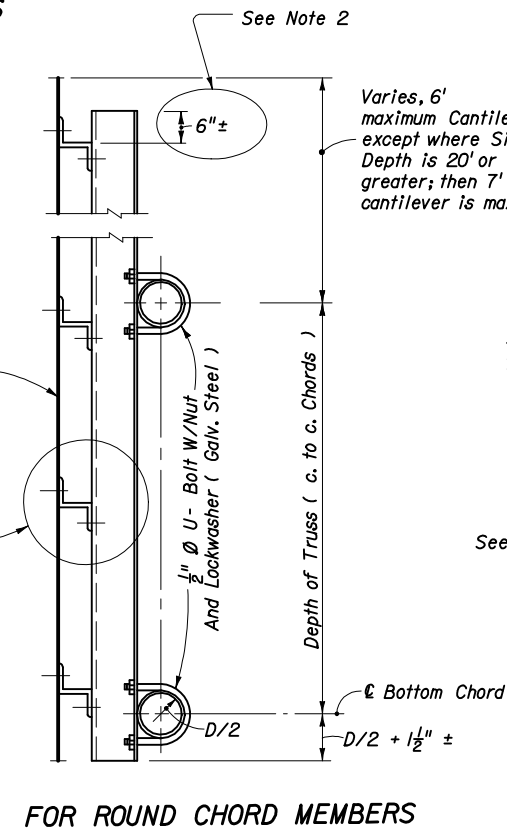
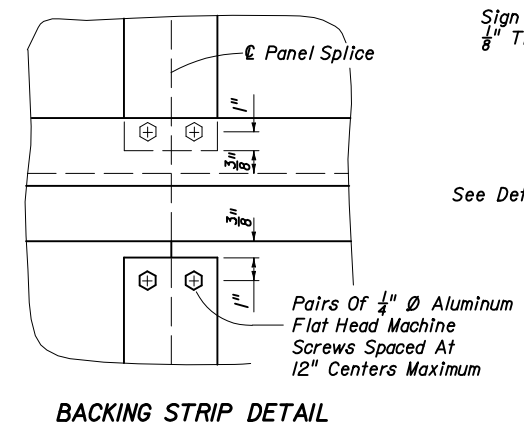
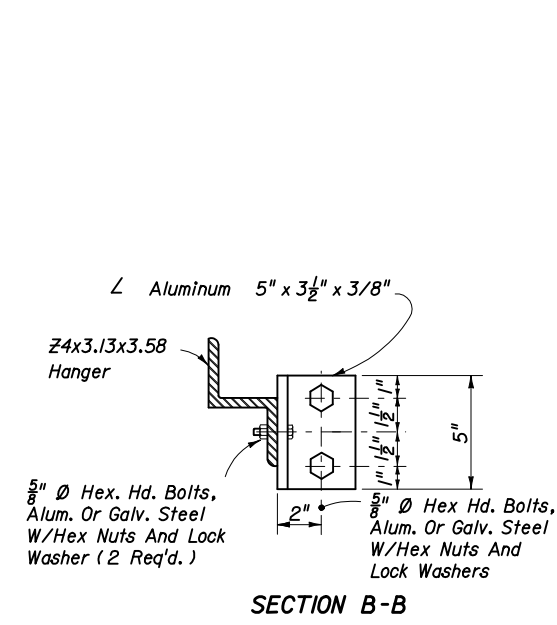


*Note: Spacing of vertical hangers may be varied slightly or as necessary to clear the truss struts and diagonals at panel points.

TYPICAL SIGN FACE ELEVATION FOR OVERHEAD TRUSS

Wind M.P.H.	No. Beams	Max. Depth	Number Of Z4x3.13x3.58 Vertical Hanger Beams For Sign Length			
			2 Hangers Sign Length	3 Hangers Sign Length	4 Hangers Sign Length	5 Hangers Sign Length
110	2	5'-0"	0'-15'-0"	15'-1"-30'-0"	30'-1"-45'-0"	
110	3	8'-6"	0'-15'-0"	15'-1"-30'-0"	30'-1"-45'-0"	
110	4	11'-6"	0'-13'-0"	13'-1"-18'-3"	18'-4"-24'-9"	24'-10"-31'-4"
110	5	14'-0"	0'-13'-0"	13'-1"-18'-3"	18'-4"-24'-9"	24'-10"-31'-4"
100	2	5'-3"	0'-15'-0"	15'-1"-30'-0"	30'-1"-45'-0"	
100	3	8'-10"	0'-15'-0"	15'-1"-22'-3"	22'-4"-30'-0"	30'-1"-38'-0"
100	4	12'-0"	0'-15'-0"	15'-1"-22'-3"	22'-4"-30'-0"	30'-1"-38'-0"
100	5	15'-0"	0'-11'-7"	11'-8"-16'-4"	16'-5"-22'-2"	22'-3"-28'-0"
90	2	5'-6"	0'-15'-0"	15'-1"-30'-0"	30'-1"-45'-0"	
90	3	9'-6"	0'-15'-0"	15'-1"-27'-3"	27'-4"-37'-0"	
90	4	12'-9"	0'-15'-0"	15'-1"-27'-3"	27'-4"-37'-0"	
90	5	16'-0"	0'-14'-3"	14'-4"-20'-0"	20'-1"-27'-0"	27'-1"-34'-3"
80	2	6'-0"	0'-15'-0"	15'-1"-30'-0"	30'-1"-45'-0"	
80	3	10'-0"	0'-15'-0"	15'-1"-30'-0"	30'-1"-45'-0"	
80	4	14'-0"	0'-15'-0"	15'-1"-25'-9"	25'-10"-34'-10"	



GENERAL NOTES

(1) For "General Notes" covering Material Specifications; see Sheets 1 Of 3, Index 9535.

(2) This dimension shall be adjusted for porcelain enameled sign panel.

(LIGHTING NOT SHOWN)

TYPICAL DETAILS OF SIGN & TRUSS CONNECTION

STATE OF FLORIDA DEPARTMENT OF TRANSPORTATION

ALUMINUM & STEEL OVERHEAD SIGN STRUCTURES

Names	Dates	Approved By		
Designed By	REB	11/94	State Structures Design Engineer	
Drawn By	DDDS	11/94	Revision	Sheet No.
Checked By	DER	11/94	00	1 of 1
			Index No.	11037