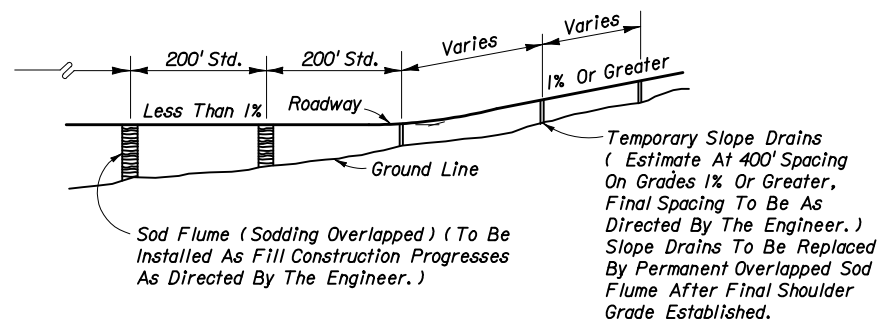
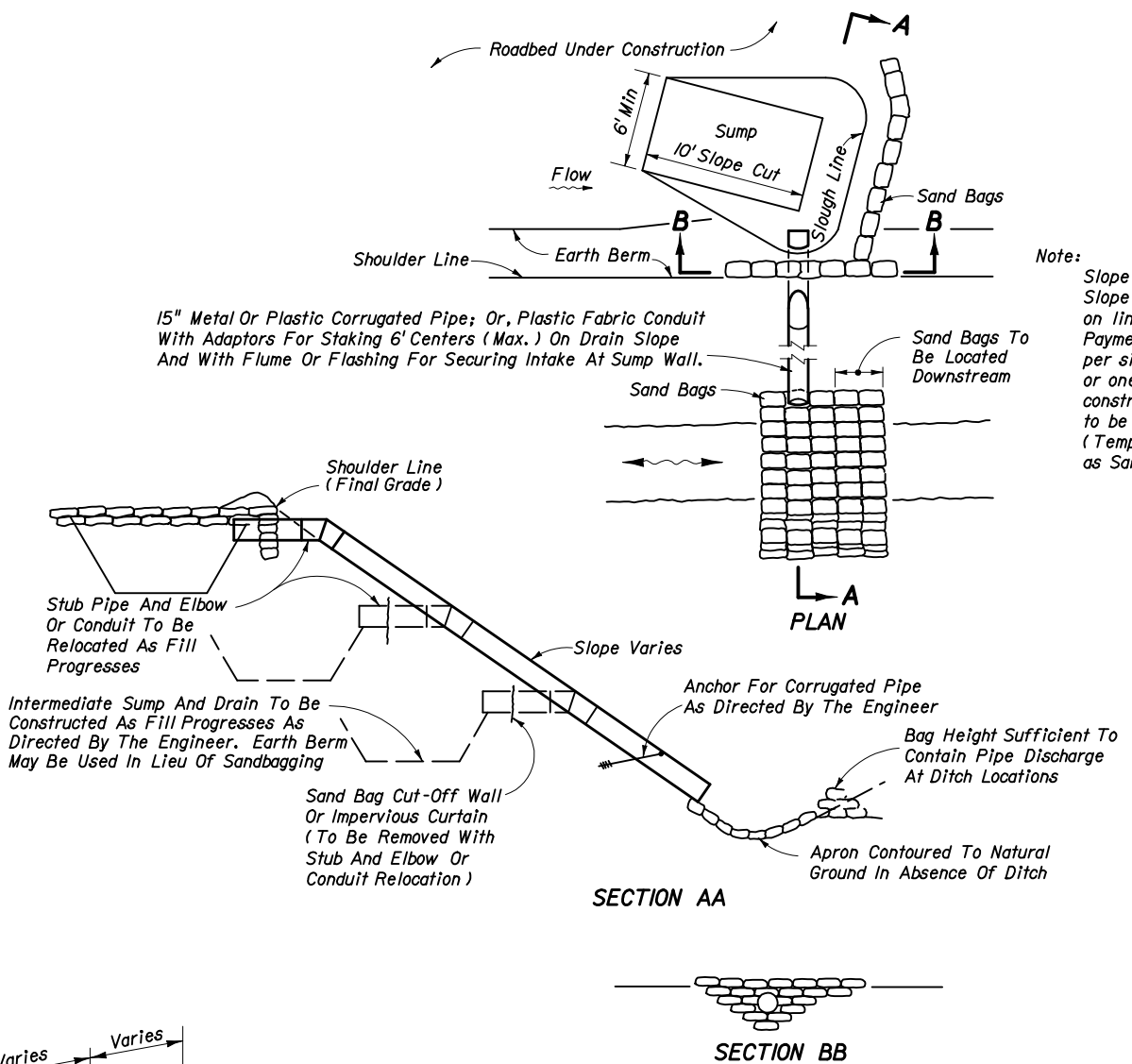


**SOD FLUME (SODDING OVERLAPPED)**



**SLOPE DRAIN APPLICATION**



**Note:**  
Slope drain pipe to be paid for as Slope Drains (Temporary) LF, based on linear feet of pipe or conduit installed. Payment to be made for one installation per site, including one stub and elbow or one intake flume or flashing. Sump construction and maintenance and curtains to be included in cost for Slope Drains (Temporary). Sand bags to be paid for as Sandbagging CY.

**TEMPORARY SLOPE DRAIN**

STATE OF FLORIDA DEPARTMENT OF TRANSPORTATION				
<b>TEMPORARY SLOPE DRAIN AND SOD FLUME</b>				
Names	Dates	Approved By <i>S. A. McHenry</i>		
Designed By		State Drainage Engineer		
Drawn By		Revision	Sheet No.	Index No.
Checked By	10/07/80	00	1 of 1	100