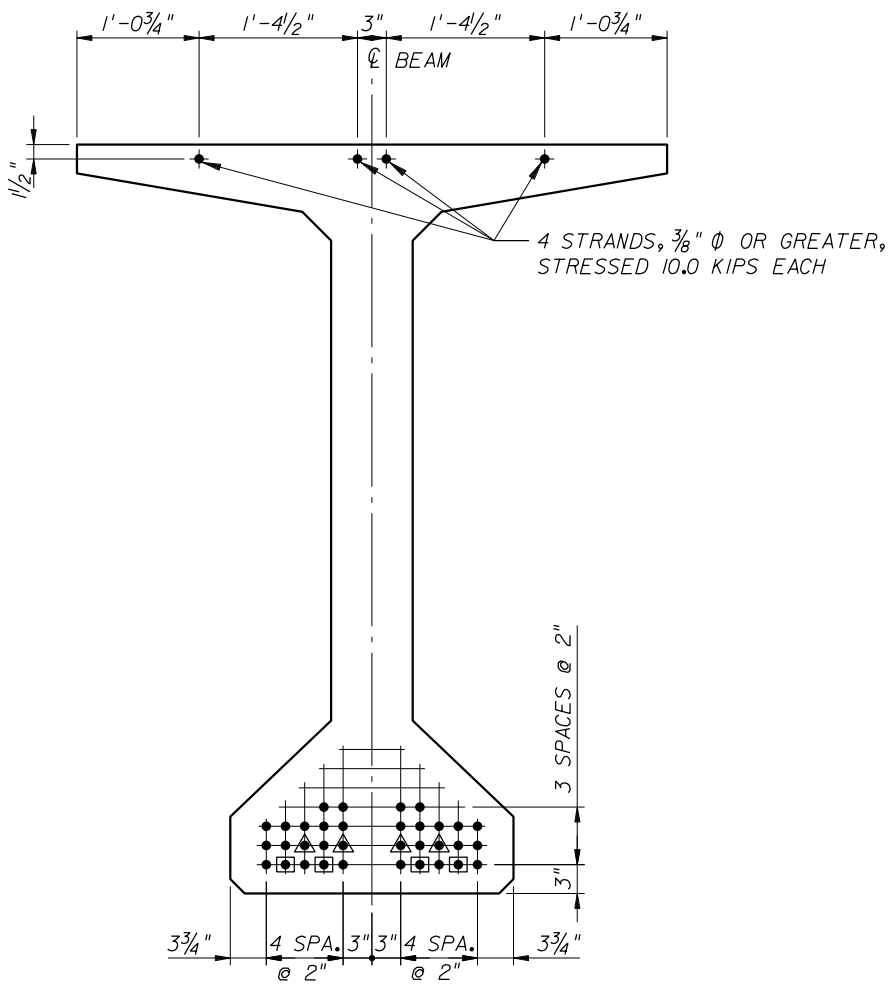


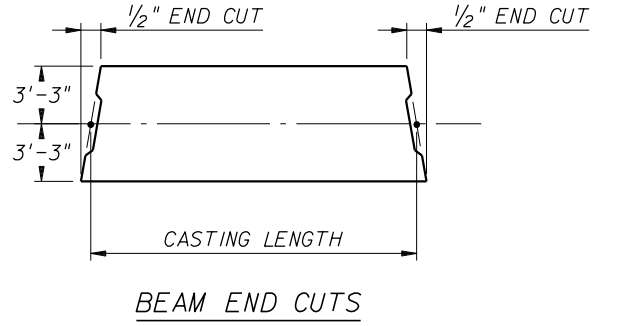
END BEAM SECTION & SECTION DIMENSIONS  
(LOOKING TOWARDS  $\bar{C}$  BEAM SEGMENT)

DROP-IN BEAM SEGMENT



STRAND PATTERN - (34) 0.6"  $\bar{\phi}$  STRANDS

STRAND DESCRIPTION:  
0.6" DIAMETER STRANDS SHALL BE GRADE 270, LOW RELAXATION STRANDS STRESSED AT 43.9 KIPS EACH. AREA PER STRAND EQUALS 0.217 SQ. IN.  
▲-INDICATES STRANDS DEBONDED OVER 10'-0" EACH END  
■-INDICATES STRANDS DEBONDED OVER 15'-0" EACH END



NOTES:  
1. SEE SHEET BX-XX FOR BEAM NOTES.

BRIDGE NO. XXXXXX

REVISIONS					
DATE	BY	DESCRIPTION	DATE	BY	DESCRIPTION

STRUCTURES DESIGN OFFICE  
CENTRAL OFFICE  
605 Suwannee Street, MS 33  
Tallahassee, Florida 32399-0450

DRAWN BY:  
XXX MM-YY  
CHECKED BY:  
XXX MM-YY  
DESIGNED BY:  
XXX MM-YY  
CHECKED BY:  
XXX MM-YY

STATE OF FLORIDA DEPARTMENT OF TRANSPORTATION			SHEET TITLE: DROP-IN BEAM SEGMENT	REF. DWG. NO.
ROAD NO.	COUNTY	FINANCIAL PROJECT ID	PROJECT NAME: SUPERSTRUCTURE DETAILS EXAMPLE 5 SPliced GIRDER DROP-IN BEAM SEGMENT	SHEET NO.