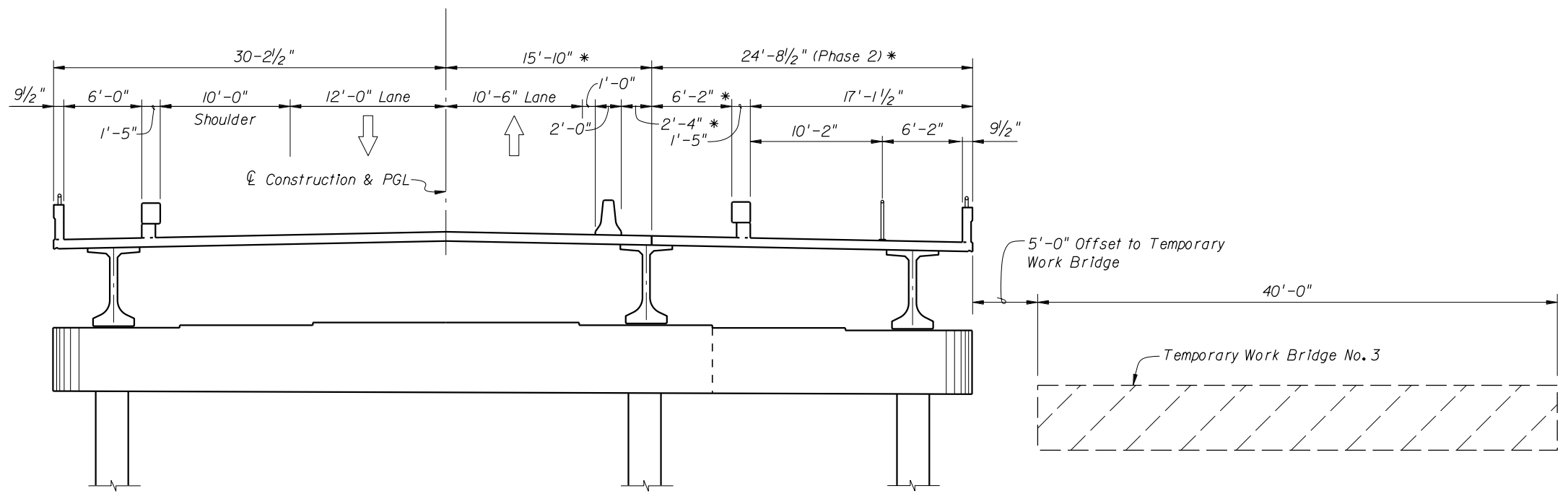


Phase 1(a) Work:
1. Construct Temporary Work Bridge No. 1.

BRIDGE NO. XXXXXX

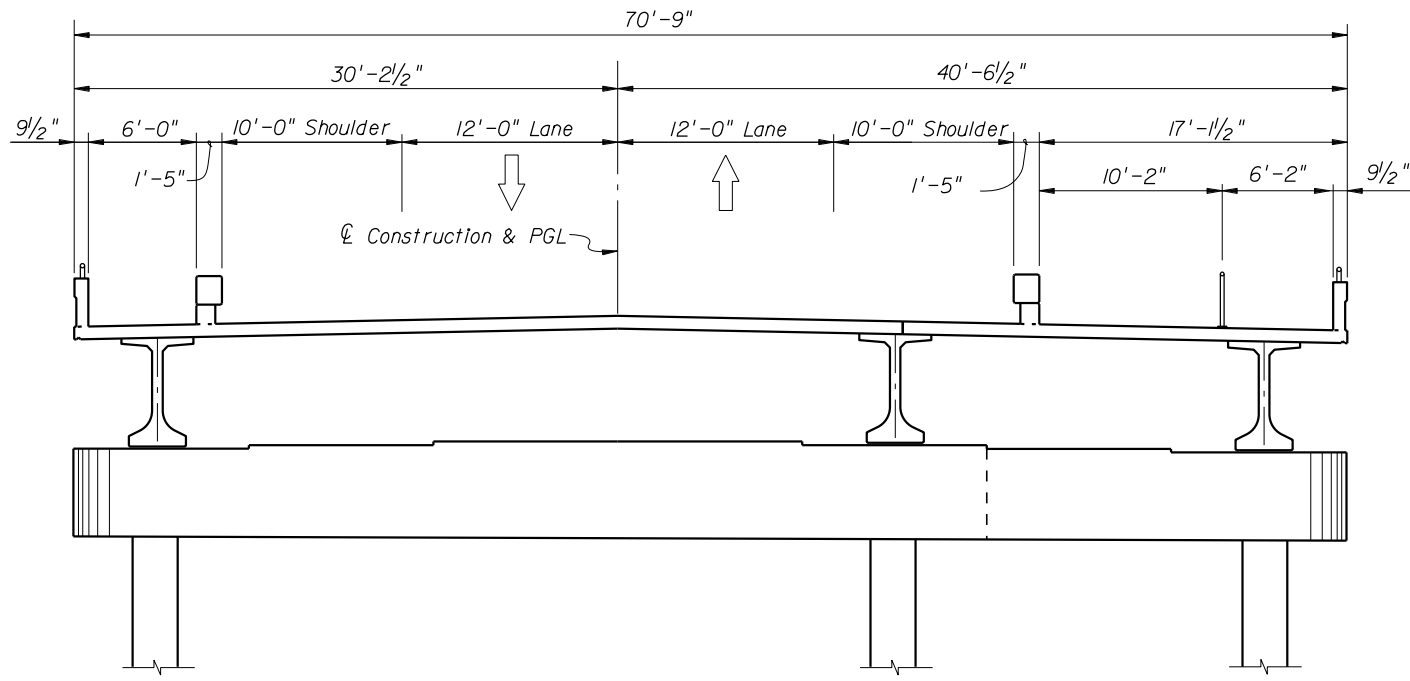
REVISIONS						STRUCTURES DESIGN OFFICE CENTRAL OFFICE 605 Suwannee Street, MS 33 Tallahassee, Florida 32399-0450	STATE OF FLORIDA DEPARTMENT OF TRANSPORTATION	SHEET TITLE:			REF. DWG. NO.
DATE	BY	DESCRIPTION	DATE	BY	DESCRIPTION			ROAD NO.	COUNTY	FINANCIAL PROJECT ID	CONSTRUCTION SEQUENCE (SHEET 1 OF 3)
									PROJECT NAME: CONSTRUCTION SEQUENCE EXAMPLE 1 UTILIZING TEMPORARY WORK BRIDGE	SHEET NO.	



* Dimension at \varnothing Bents for portion of bridge within horizontal curve

Type K Temporary Barrier Wall
PHASE 2 (b)

- Phase 2(b) Work:
1. Remove Temporary Work Bridge No. 2.
 2. Construct Temporary Work Bridge No. 3.
 3. Construct Phase 2 portion of New Bridge.



PHASE 3

- Phase 3 Work:
1. Shift Traffic to Permanent Lane locations.
 2. Remove Temporary Work Bridge No. 3.

BRIDGE NO. XXXXXX

REVISIONS						STRUCTURES DESIGN OFFICE CENTRAL OFFICE 605 Suwannee Street, MS 33 Tallahassee, Florida 32399-0450	DRAWN BY: XXX MM-YY CHECKED BY: XXX MM-YY DESIGNED BY: XXX MM-YY CHECKED BY: XXX MM-YY	STATE OF FLORIDA DEPARTMENT OF TRANSPORTATION			SHEET TITLE:	REF. DWG. NO.
DATE	BY	DESCRIPTION	DATE	BY	DESCRIPTION			ROAD NO.	COUNTY	FINANCIAL PROJECT ID	CONSTRUCTION SEQUENCE (SHEET 3 OF 3)	
										PROJECT NAME: CONSTRUCTION SEQUENCE EXAMPLE 1 UTILIZING TEMPORARY WORK BRIDGE	SHEET NO.	