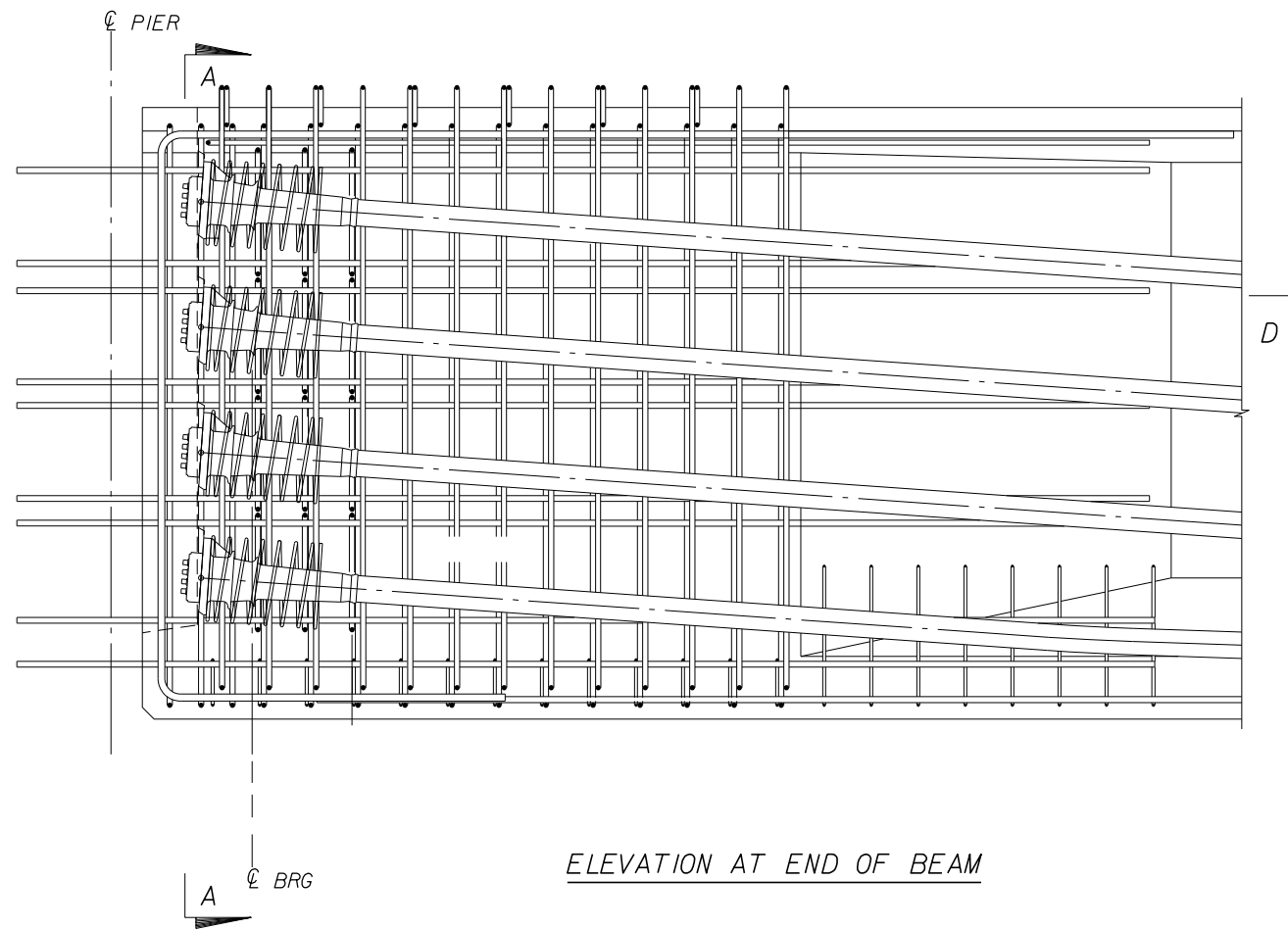
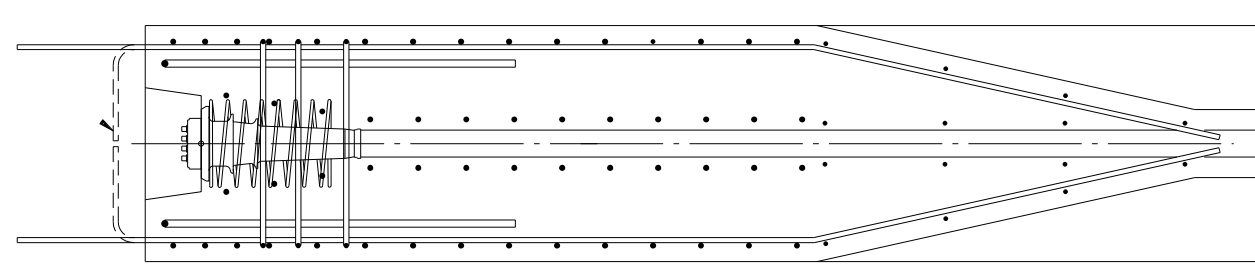


SECTION A-A



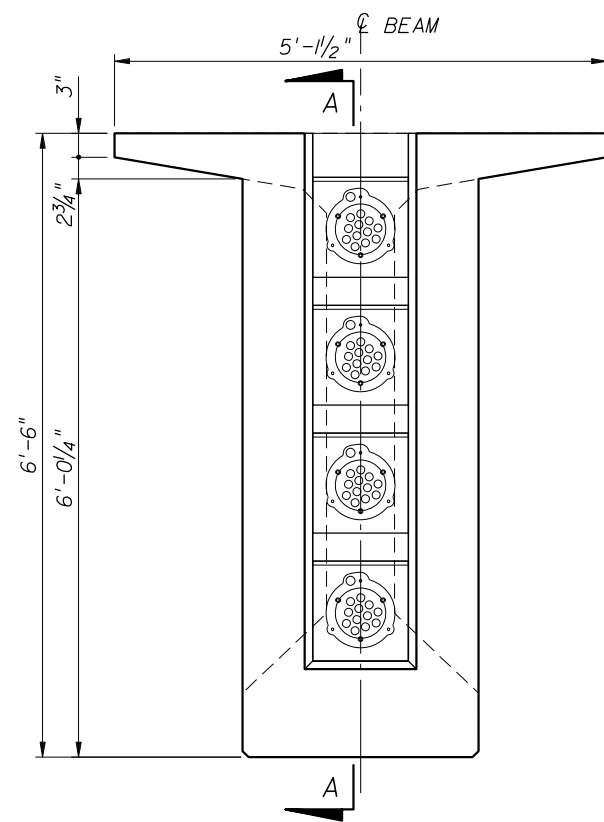
ELEVATION AT END OF BEAM



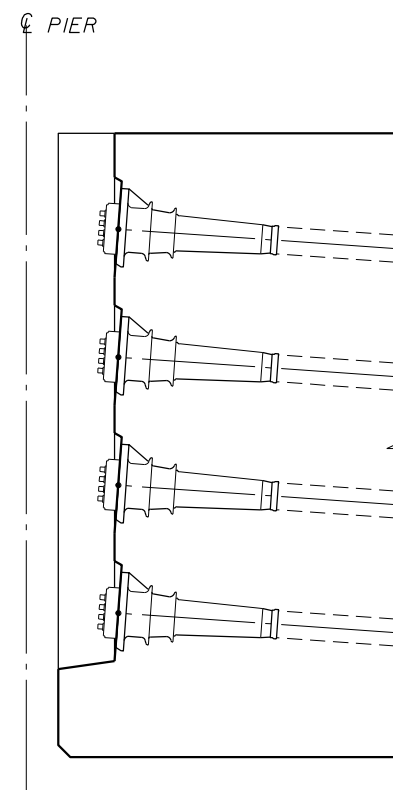
SECTION D-D

BRIDGE NO. XXXXXX

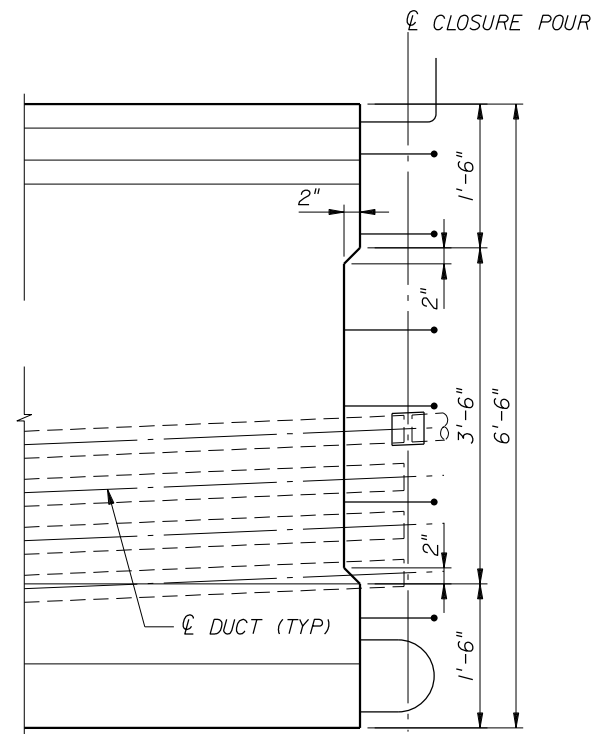
REVISIONS						STRUCTURES DESIGN OFFICE CENTRAL OFFICE 605 Suwannee Street, MS 33 Tallahassee, Florida 32399-0450	DRAWN BY: XXX MM-YY CHECKED BY: XXX MM-YY DESIGNED BY: XXX MM-YY CHECKED BY: XXX MM-YY	STATE OF FLORIDA DEPARTMENT OF TRANSPORTATION			SHEET TITLE:	REF. DWG. NO.
DATE	BY	DESCRIPTION	DATE	BY	DESCRIPTION			ROAD NO.	COUNTY	FINANCIAL PROJECT ID	PROJECT NAME:	SHEET NO.
										END BEAM SEGMENTS (SHEET 2 OF 3)		
										SUPERSTRUCTURE DETAILS EXAMPLE 3 SPliced GIRDER END BEAM SEGMENTS		



END VIEW



SECTION A-A



RECESS DETAIL

BRIDGE NO. XXXXXX

REVISIONS						STRUCTURES DESIGN OFFICE CENTRAL OFFICE 605 Suwannee Street, MS 33 Tallahassee, Florida 32399-0450	DRAWN BY: XXX MM-YY CHECKED BY: XXX MM-YY DESIGNED BY: XXX MM-YY CHECKED BY: XXX MM-YY	STATE OF FLORIDA DEPARTMENT OF TRANSPORTATION			SHEET TITLE:	REF. DWG. NO.
DATE	BY	DESCRIPTION	DATE	BY	DESCRIPTION			ROAD NO.	COUNTY	FINANCIAL PROJECT ID	PROJECT NAME:	SHEET NO.
										END BEAM SEGMENTS (SHEET 3 OF 3)		
										SUPERSTRUCTURE DETAILS EXAMPLE 3 SPliced GIRDER END BEAM SEGMENTS		