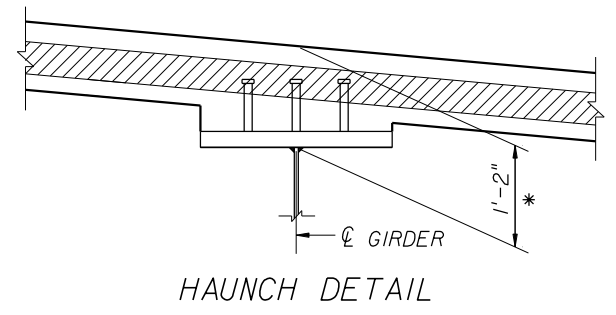
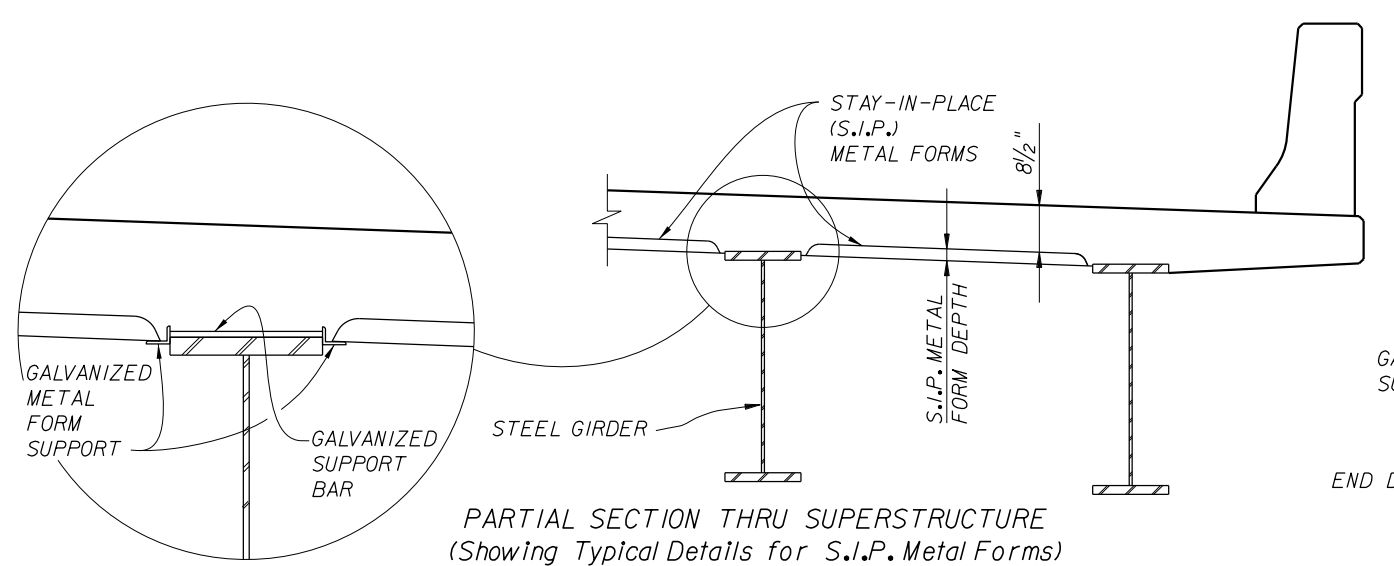


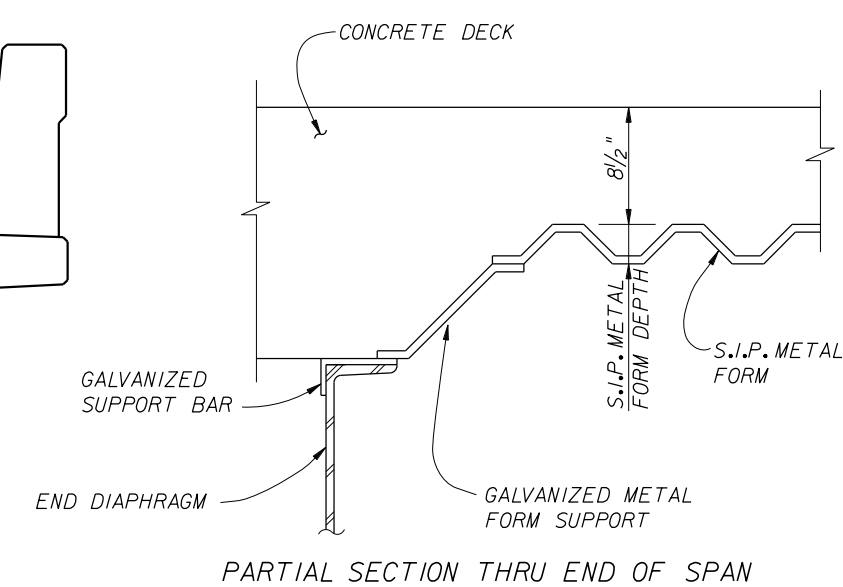
SUPERSTRUCTURE CROSS-SECTION  
(BARS 6B3 NOT SHOWN)



HAUNCH DETAIL



PARTIAL SECTION THRU SUPERSTRUCTURE  
(Showing Typical Details for S.I.P. Metal Forms)



PARTIAL SECTION THRU END OF SPAN

STAY-IN-PLACE METAL FORM DETAILS

BRIDGE NO. XXXXXX

REVISIONS						STRUCTURES DESIGN OFFICE			STATE OF FLORIDA DEPARTMENT OF TRANSPORTATION			SHEET TITLE		REF. DWG. NO.
DATE	BY	DESCRIPTION	DATE	BY	DESCRIPTION	CENTRAL OFFICE			ROAD NO. COUNTY FINANCIAL PROJECT ID			SUPERSTRUCTURE SECTION		
						605 Suwannee Street, MS 33						SUPERSTRUCTURE DETAILS EXAMPLE 1		
						Tallahassee, Florida 32399-0450						SUPERSTRUCTURE SECTION - STEEL I-GIRDER		
												PROJECT NAME		SHEET NO.