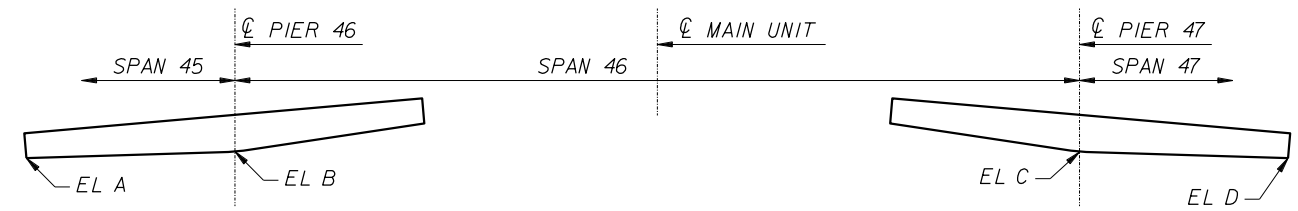


①	0.000"	-1.584"	-1.943"	-1.872"	-0.888"	0.092"	0.000"	-0.596"	-1.926"	-4.330"	-4.879"	-4.330"	-1.926"	-0.596"	0.000"	0.092"	-0.888"	-1.872"	-1.943"	-1.584"	0.000"
②	0.000"	1.063"	1.485"	0.944"	0.035"	-0.232"	0.000"	0.743"	1.793"	3.479"	4.094"	3.479"	1.793"	0.743"	0.000"	-0.232"	0.035"	0.944"	1.485"	1.063"	0.000"
③	0.000"	-0.460"	-0.603"	-0.379"	-0.027"	0.097"	0.000"	-0.249"	-0.621"	-1.153"	-1.371"	-1.153"	-0.621"	-0.249"	0.000"	0.097"	-0.027"	-0.379"	-0.603"	-0.460"	0.000"
④	0.000"	-0.894"	-1.112"	-0.964"	-0.562"	-0.221"	0.000"	0.158"	0.232"	0.304"	0.321"	0.304"	0.232"	0.158"	0.000"	-0.221"	-0.562"	-0.964"	-1.112"	-0.894"	0.000"
⑤	0.000"	-1.875"	-2.174"	-2.271"	-1.442"	-0.264"	0.000"	0.055"	-0.522"	-1.701"	-1.834"	-1.701"	-0.522"	0.055"	0.000"	-0.264"	-1.442"	-2.271"	-2.174"	-1.875"	0.000"
⑥	0.000"	-0.291"	-0.230"	-0.399"	-0.554"	-0.357"	0.000"	0.651"	1.404"	2.630"	3.045"	2.630"	1.404"	0.651"	0.000"	-0.357"	-0.554"	-0.399"	-0.230"	-0.291"	0.000"

ANTICIPATED DEFLECTIONS
(+ IS DOWNWARD, - IS UPWARD)

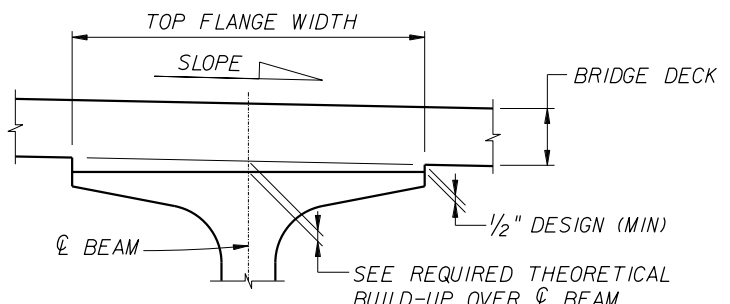
CAMBER NOTES:

- ① DEFLECTION PRIOR TO DECK POUR (AT END OF FIRST STAGE POST-TENSIONING).
- ② DEFLECTION DUE TO DECK POUR.
- ③ DEFLECTION DUE TO SECOND STAGE POST-TENSIONING, REMOVAL OF TEMPORARY SUPPORTS, AND PLACEMENT OF BARRIERS.
- ④ DEFLECTION DUE TO FUTURE CREEP AND SHRINKAGE.
- ⑤ TOTAL DEFLECTION (1 + 2 + 3 + 4).
- ⑥ TOTAL DEFLECTION AFTER FIRST STAGE POST-TENSIONING (2 + 3 + 4).

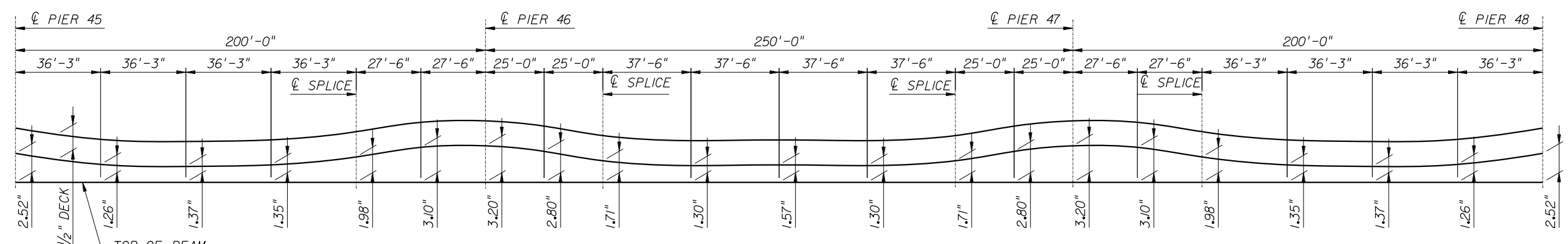


LOCATION	A	B	C	D
BEAM 1	68.812	65.977	65.943	68.879
BEAM 2	69.012	66.177	66.143	69.079
BEAM 3	69.212	66.377	66.343	69.279
BEAM 4	69.412	66.577	66.543	69.479
BEAM 5	69.612	66.777	66.743	69.679
BEAM 6	69.812	66.977	66.943	69.879

PLACEMENT OF BEAM AT PIERS 46 AND 47
* ELEVATIONS REFER TO THE BOTTOM OF THE BEAM



BUILD-UP OVER BEAMS



SKETCH SHOWING ANTICIPATED BUILD-UP

BRIDGE NO. XXXXXX

REVISIONS						STRUCTURES DESIGN OFFICE CENTRAL OFFICE 605 Suwannee Street, MS 33 Tallahassee, Florida 32399-0450	DRAWN BY: XXX MM-YY CHECKED BY: XXX MM-YY DESIGNED BY: XXX MM-YY CHECKED BY: XXX MM-YY	STATE OF FLORIDA DEPARTMENT OF TRANSPORTATION			SHEET TITLE:		REF. DWG. NO.
DATE	BY	DESCRIPTION	DATE	BY	DESCRIPTION			ROAD NO.	COUNTY	FINANCIAL PROJECT ID	CAMBER DIAGRAM - MAIN UNIT		
									CAMBER DIAGRAM EXAMPLE 3 SPliced GIRDER CAMBER DIAGRAM				