



*Florida Department of Transportation*

RICK SCOTT  
GOVERNOR

605 Suwannee Street  
Tallahassee, FL 32399-0450


ANANTH PRASAD  
SECRETARY

July 21, 2014

**DCE MEMORANDUM 16-14**  
*(FHWA Approved: 7/21/2014)*

**This Memo Has Expired**

**TO:** DISTRICT CONSTRUCTION ENGINEERS

**FROM:** David A. Sadler, P.E., Director, Office of Construction 

**COPIES:** Tom Byron, Bob Burluson, Rudy Powell, Chad Thompson, Caitlin Alcorn, Rafiq Darji, Chester Henson, Ezzeldin Benghuzzi

**SUBJECT:** CORRECTION TO DESIGN STANDARD, INDEX 11860, SHEET 4

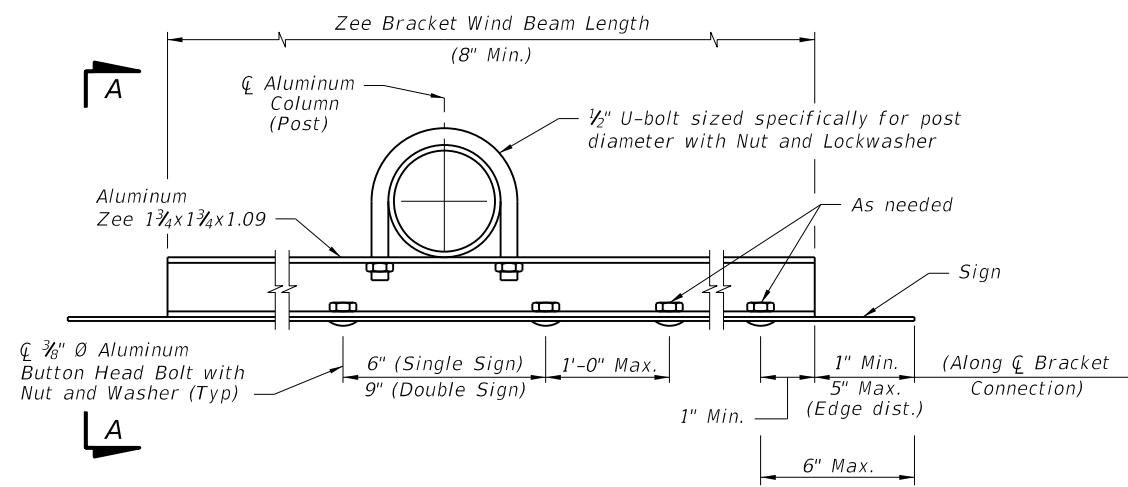
The current Design Standards, Index 11860, Sheet 4, requires a third zee bracket when either dimension of the sign panel is greater than 30". Attached is revised Design Standard, Index 11860, Sheet 4 that modifies this language and only requires a third zee bracket when the sign height is greater than 30".

For projects impacted by this correction, replace Index 11860, Sheet 4 with the attached Design Standard revision. This memorandum serves as a blanket approval to process a \$0.00 contract change and should be attached to the Work Order or Supplemental Agreement.

If you have any questions, please contact Stefanie Maxwell at 850-414-4314 or [Stefanie.Maxwell@dot.state.fl.us](mailto:Stefanie.Maxwell@dot.state.fl.us)

DAS/sm

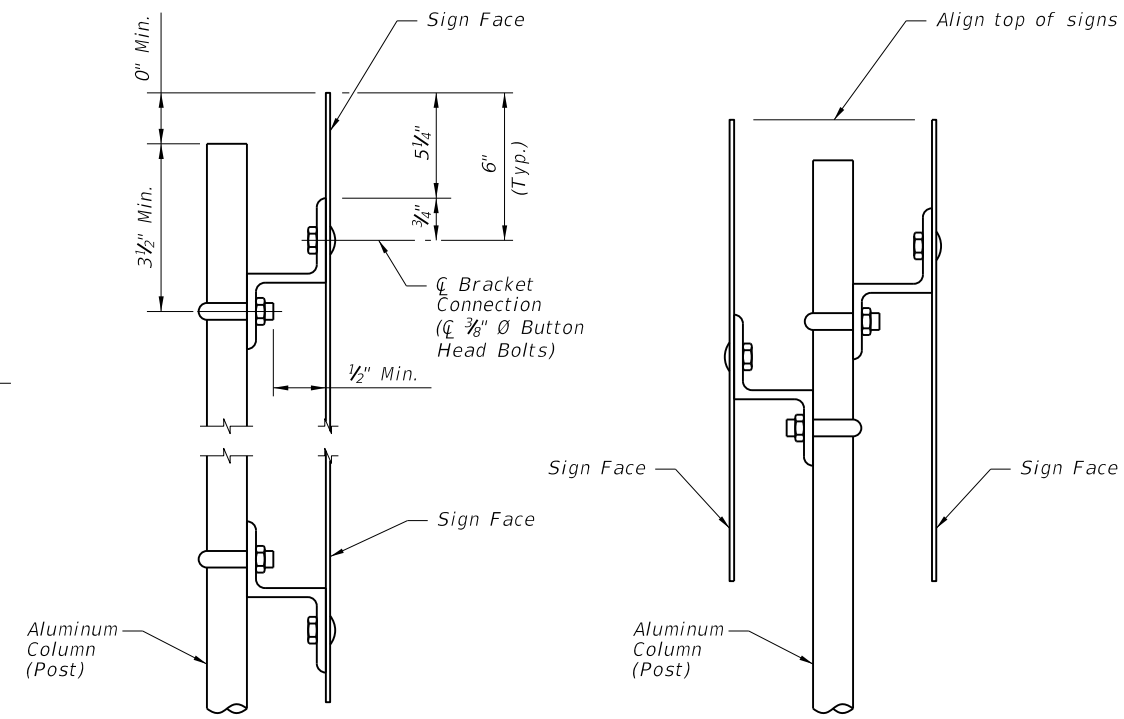
Attachment



NOTES:

1. 5/16" Ø Stainless Steel Hex Head Bolts with Flat Washer under Head and Lockwasher under Nut may be used in lieu of 3/8" Ø Aluminum Button Head Bolts.
2. Nylon washers provided by the sheeting supplier shall be used on all ground mounted signs. The washers shall be installed under the sign bolt head to protect the sheeting.
3. Vertical spacing of brackets shall not exceed 2'-6". Use additional brackets, spaced evenly, to maintain maximum spacing.
4. Slots for U-bolts are allowed in zee bracket to accommodate various post diameters.

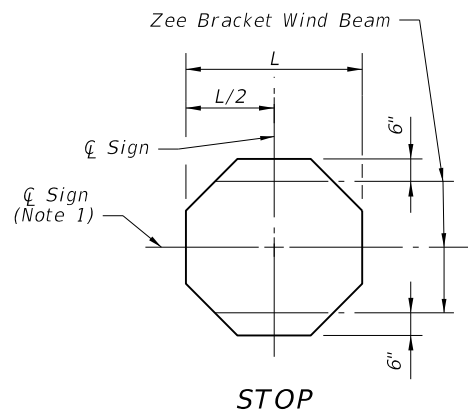
BRACKET DETAIL



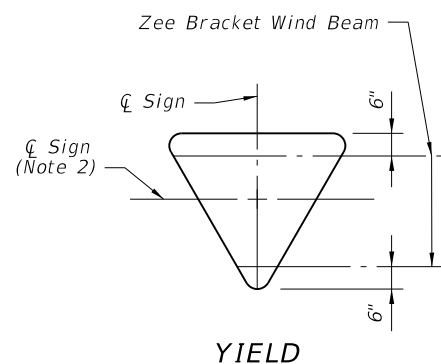
VIEW A-A

SIGNS BACK-TO-BACK

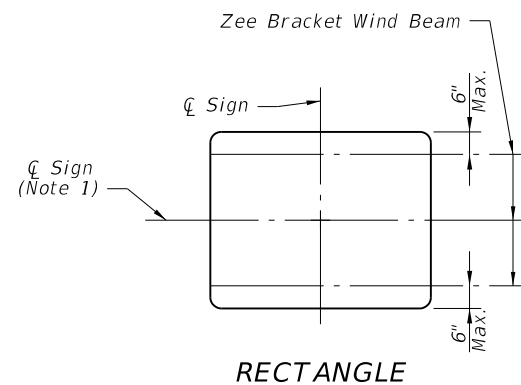
NOTE:  
Use the area and the centroid location of the largest sign to determine column (post) size.



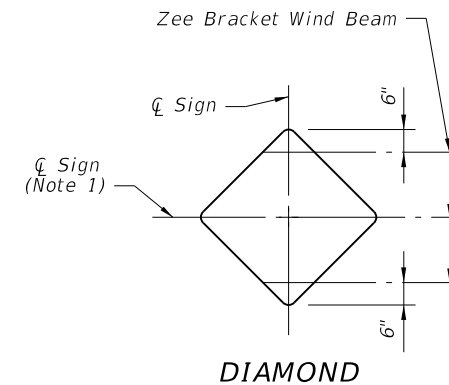
STOP



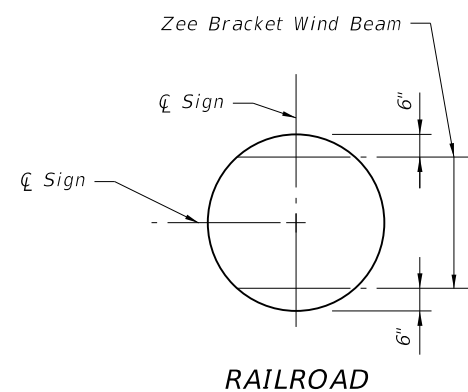
YIELD



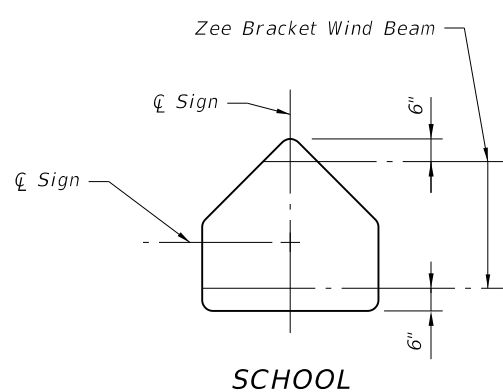
RECTANGLE



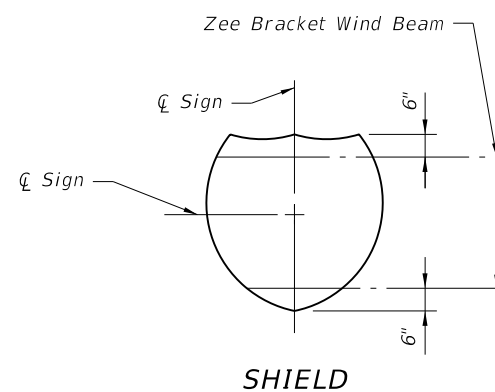
DIAMOND



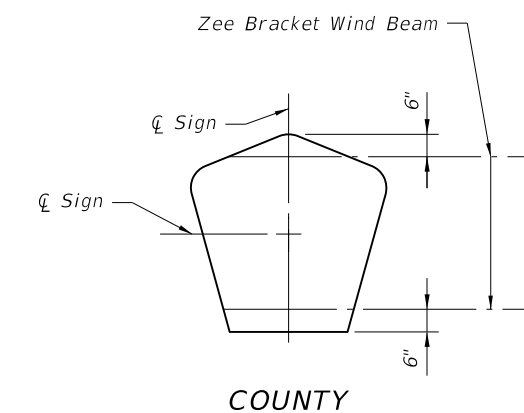
RAILROAD



SCHOOL



SHIELD




COUNTY

NOTES:

1. For signs with heights greater than 30" a third zee bracket wind beam shall be installed along the centerline.
2. For Yield signs greater than 36" a third zee bracket wind beam shall be installed along the centerline.
3. Use only one Wind Beam at centerline for sign height up to 12".

CONNECTION AND WIND BEAM

5/12/2014 8:13:46 AM RD960DM C:\projects\standards\roadway\11000-s\dsr\11860-04DSR.dgn

|                                   |  |   |                                   |                            |                             |
|-----------------------------------|--|---|-----------------------------------|----------------------------|-----------------------------|
| <p>LAST REVISION<br/>07/01/14</p> | <p>DESCRIPTION:<br/>Added Note #4 in the BRACKET DETAIL and Rearranged page for clarification.</p> |  <p>FDOT 2014<br/>DESIGN STANDARDS</p> | <p>SINGLE COLUMN GROUND SIGNS</p> | <p>INDEX NO.<br/>11860</p> | <p>SHEET NO.<br/>4 of 8</p> |
|-----------------------------------|--|---|-----------------------------------|----------------------------|-----------------------------|